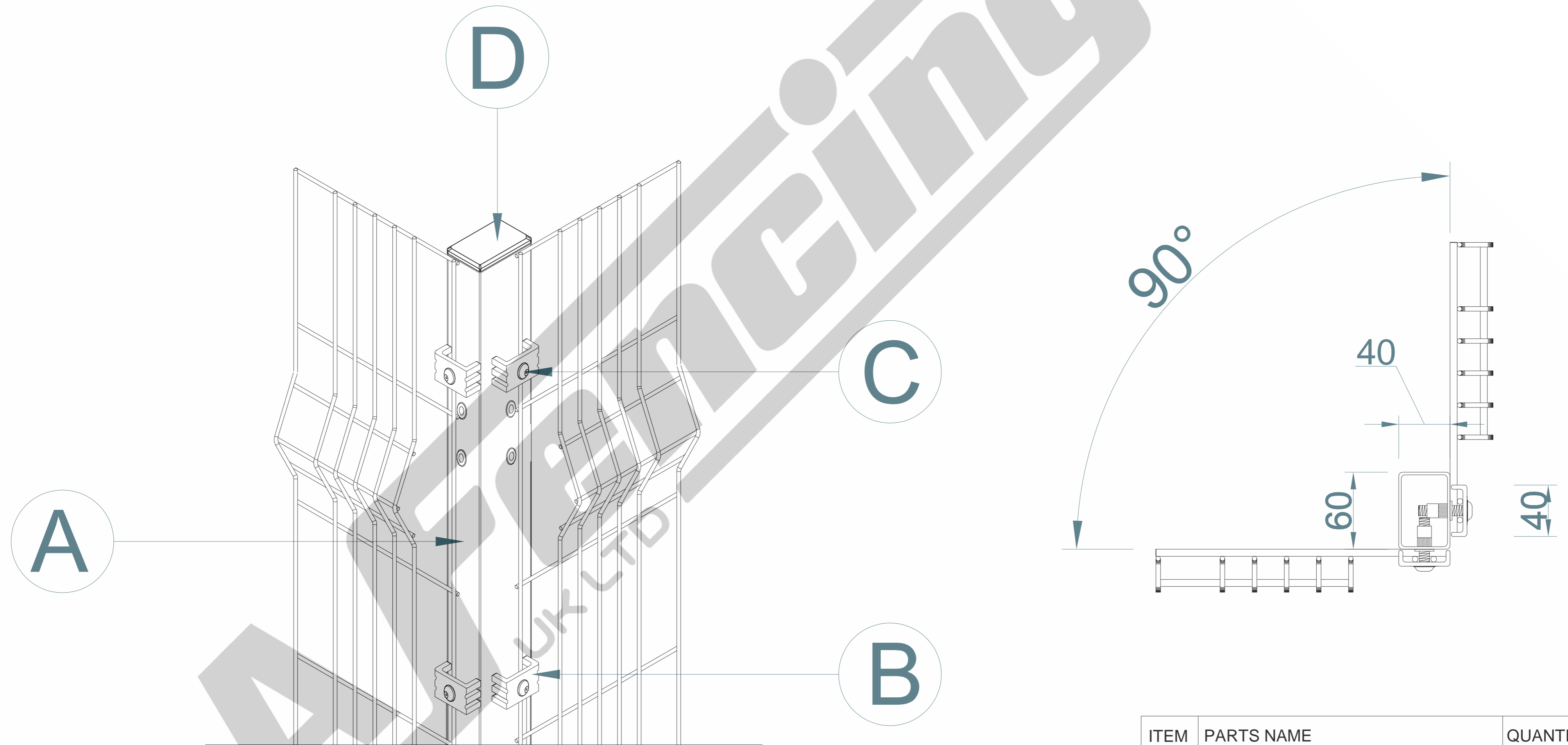


1.8m HIGH UNIFROM MESH WITH 60x40mm CORNER DIG IN BAY



ITEM	PARTS NAME	QUANTITY
A	POST – 2.35m HIGH 60×40mm DIG IN POST ONLY	1
B	UNIVERSAL FIXING CLIP	8
C	M8×40mm MESH SECURITY BOLT	8
D	60×40MM BLACK CAP	1

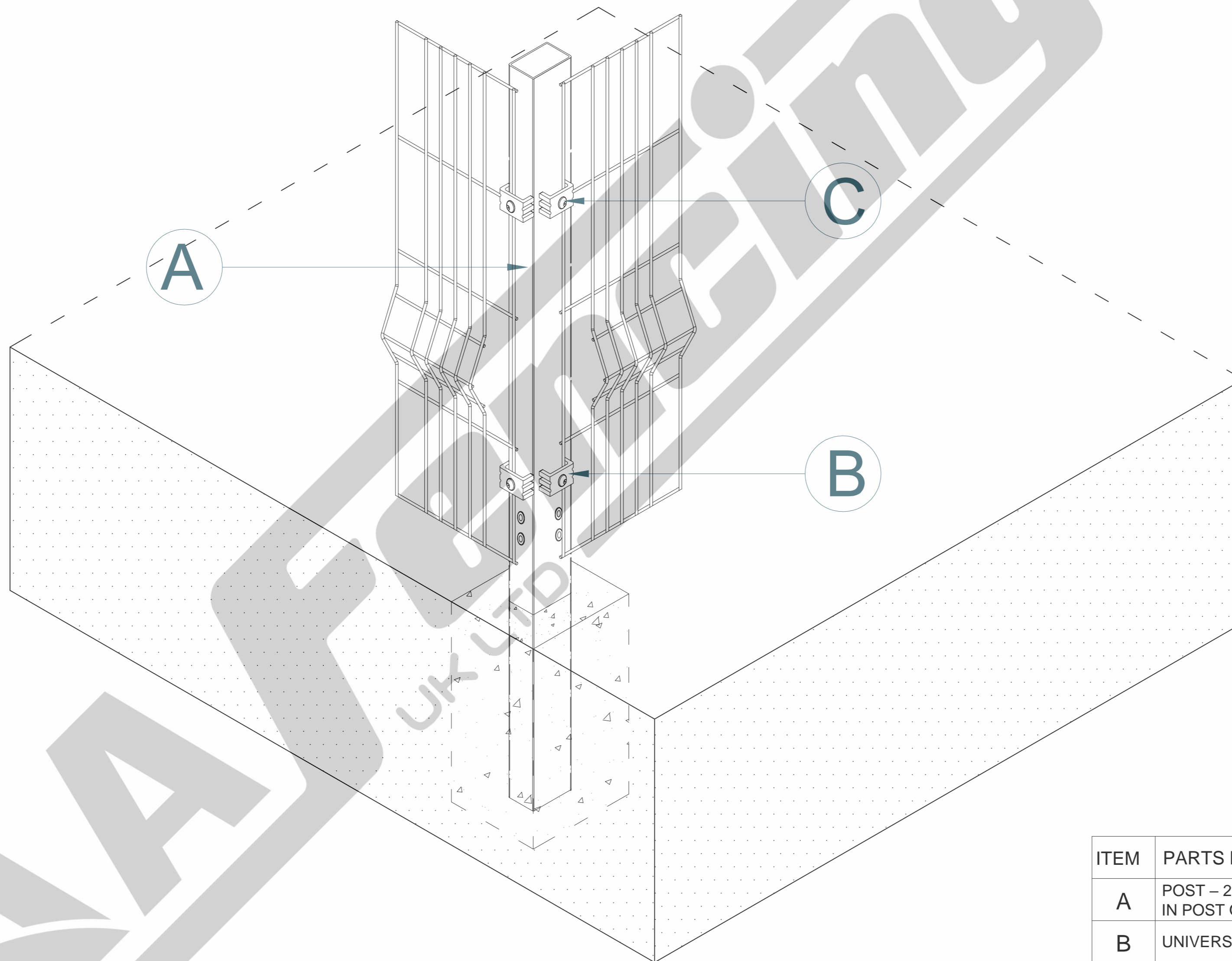
TITLE: 1.8m HIGH UNIFROM MESH WITH 60x40mm CORNER DIG IN BAY
 AA Fencing UK Ltd. The Wireworks
 Evans Road, Speke Liverpool L24 9PB
 0151 363 1234 info@aafencing.co.uk

SIZE: A2 RVE: 1.0 DRAWN: W.W DATE: 25/11/2024 SCALE: 1:10
 WEIGHT: PANEL 23kg, POST 5.4kg SHEET 1 OF 3

NOTE: SHOULD ANY DISCREPANCIES BE FOUND WITH THIS DRAWING, PLEASE INFORM AA FENCING. COPYRIGHT OF THIS DRAWING IS OWNED BY AA FENCING UK LIMITED



1.8m HIGH UNIFORM MESH WITH 60x40mm CORNER DIG IN BAY



ITEM	PARTS NAME	QUANTITY
A	POST – 2.35m HIGH 60×40mm DIG IN POST ONLY	1
B	UNIVERSAL FIXING CLIP	8
C	M8×40mm MESH SECURITY BOLT	8

TITLE: 1.8m HIGH UNIFORM MESH WITH 60x40mm CORNER DIG IN BAY

SIZE:

RVE:

DRAWN:

DATE:

SCALE:

1:15

A2

1.0

W.W

25/11/2024

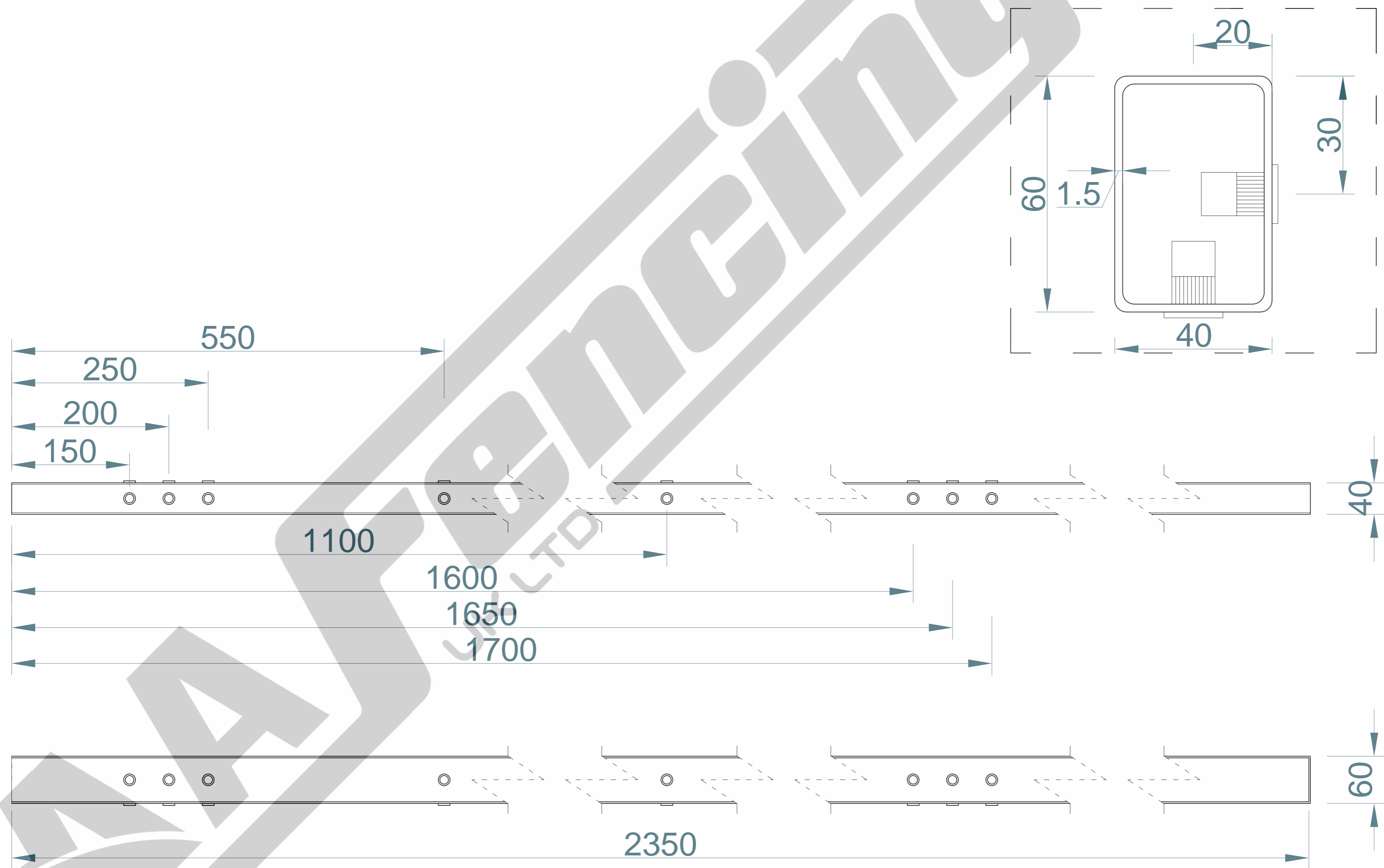
WEIGHT: PANEL 23kg,POST 5.4kg

SHEET 2 OF 3

NOTE:

SHOULD ANY DISCREPANCIES BE FOUND WITH THIS DRAWING,PLEASE INFORM AA FENCING. COPYRIGHT OF THIS DRAWING IS OWNED BY AA FENCING UK LIMITED

1.8m HIGH 60×40mm CORNER DIG IN POST ONLY(AL 2350mm)



TITLE: 1.8m HIGH 60×40mm CORNER DIG IN POST ONLY

SIZE:

RVE:

DRAWN:

DATE:

SCALE:

NOTE:

SHOULD ANY DISCREPANCIES BE FOUND WITH THIS DRAWING,PLEASE INFORM AA FENCING. COPYRIGHT OF THIS DRAWING IS OWNED BY AA FENCING UK LIMITED

AA Fencing UK Ltd.The Wireworks
Evans Road,Speke Liverpool L24 9PB
0151 363 1234 info@aafencing.co.uk

A2

1.0

W.W

25/11/2024

WEIGHT: 5.4kg

SHEET 3 OF 3

