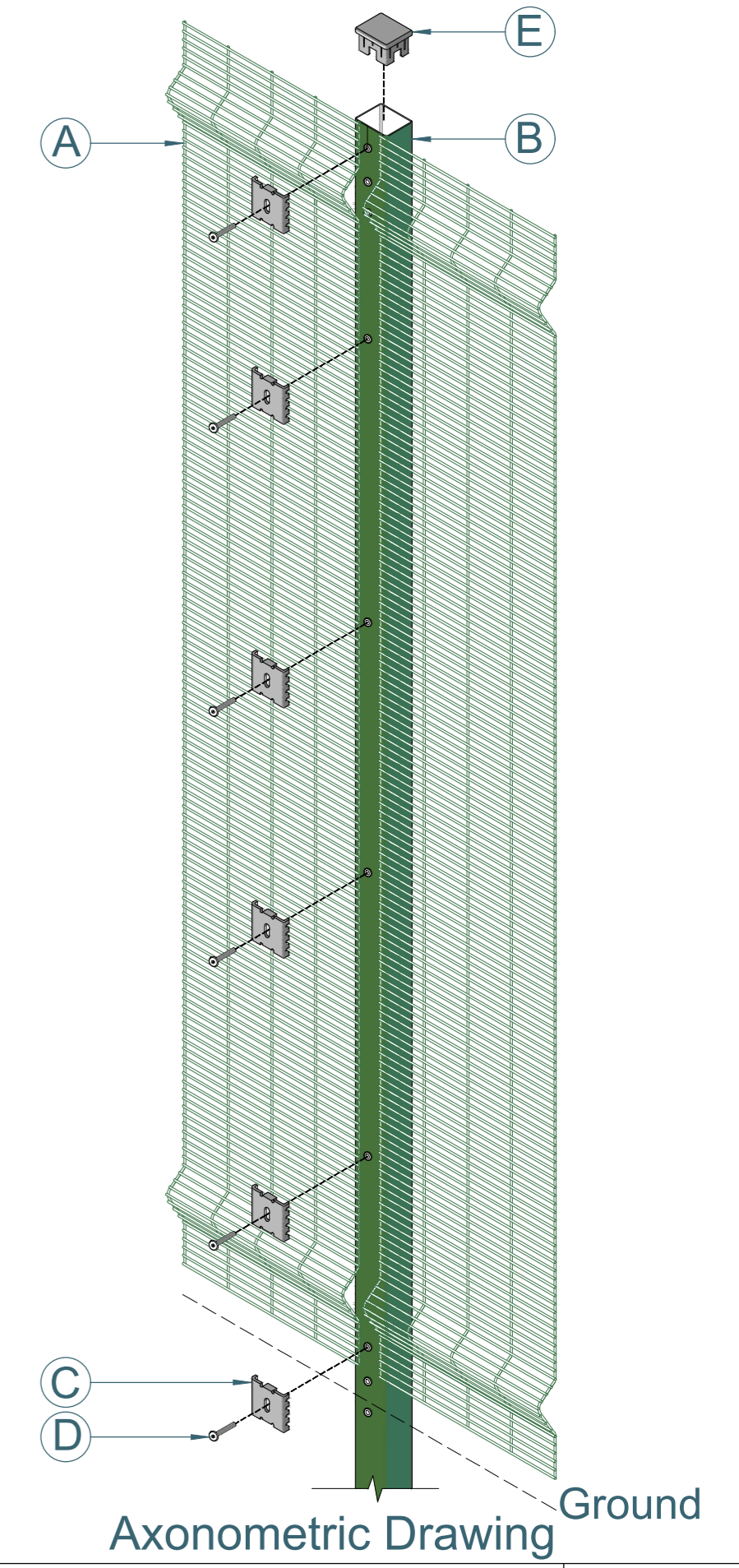
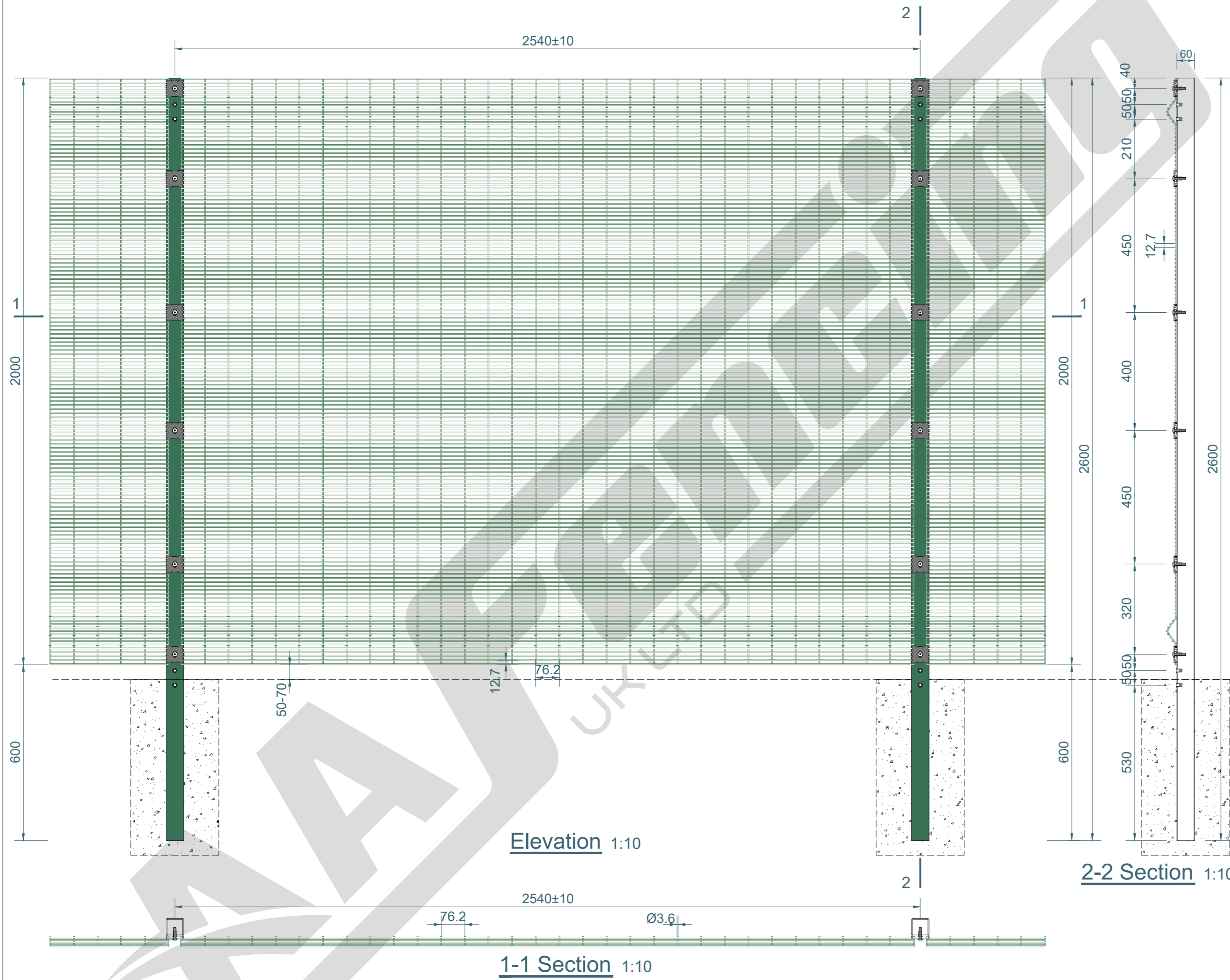


2.0m HIGH 358 V BEAM PRISON MESH WITH 60x60mm DIG IN BAY



ITEM	PARTS NAME	QUANTITY
A	MESH - 2.0m HIGH 358 V BEAM PRISON MESH PANEL ONLY	1
B	POST – 2.60m HIGH 60x60mm DIG IN POST ONLY	1
C	UNIVERSAL FIXING CLIP	6
D	M8x40mm MESH SECURITY INSERT BOLT	6
E	60x60mm BLACK CAP	1

TITLE: 2.0m HIGH 358 V BEAM PRISON MESH WITH 60x60mm DIG IN BAY

AA Fencing UK Ltd. The Wireworks Evans
Road, Speke Liverpool L24 9PB
0151 363 1234 info@aafencing.co.uk

SIZE: A2 RVE: 1.0 DRAWN: W.CY DATE: 15/03/2025

SCALE: 1:10

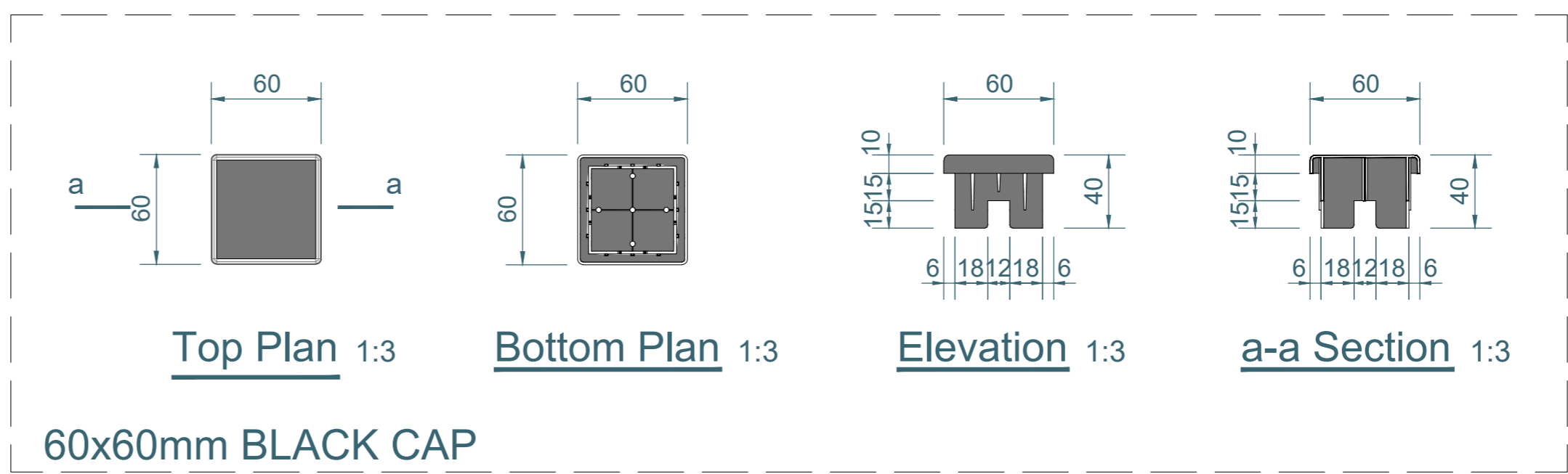
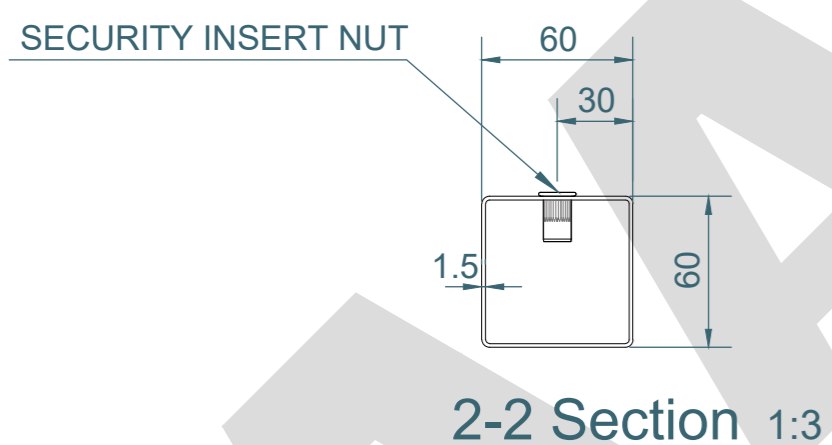
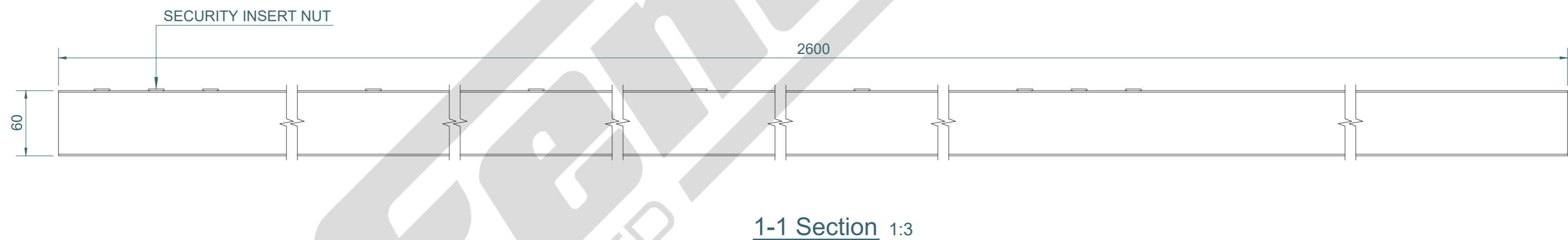
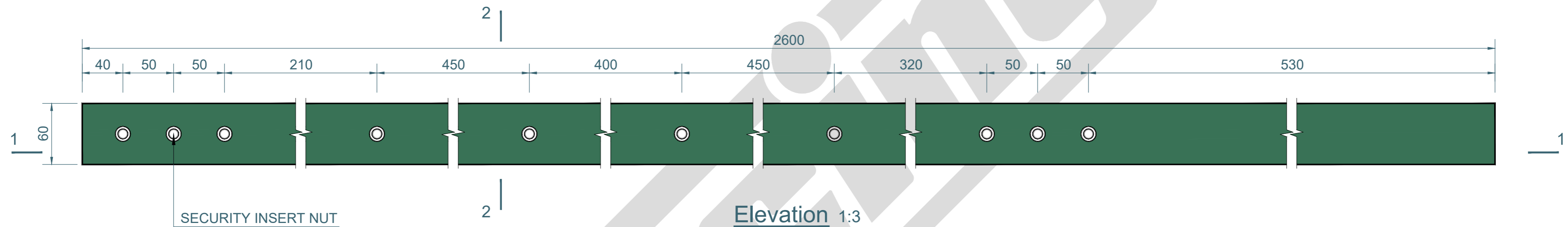
WEIGHT: PANEL 35.5kg, POST 7.5kg

SHEET 1 OF 3

NOTE: SHOULD ANY DISCREPANCIES BE FOUND WITH THIS DRAWING, PLEASE INFORM AA FENCING. COPYRIGHT OF THIS DRAWING IS OWNED BY AA FENCING UK LIMITED



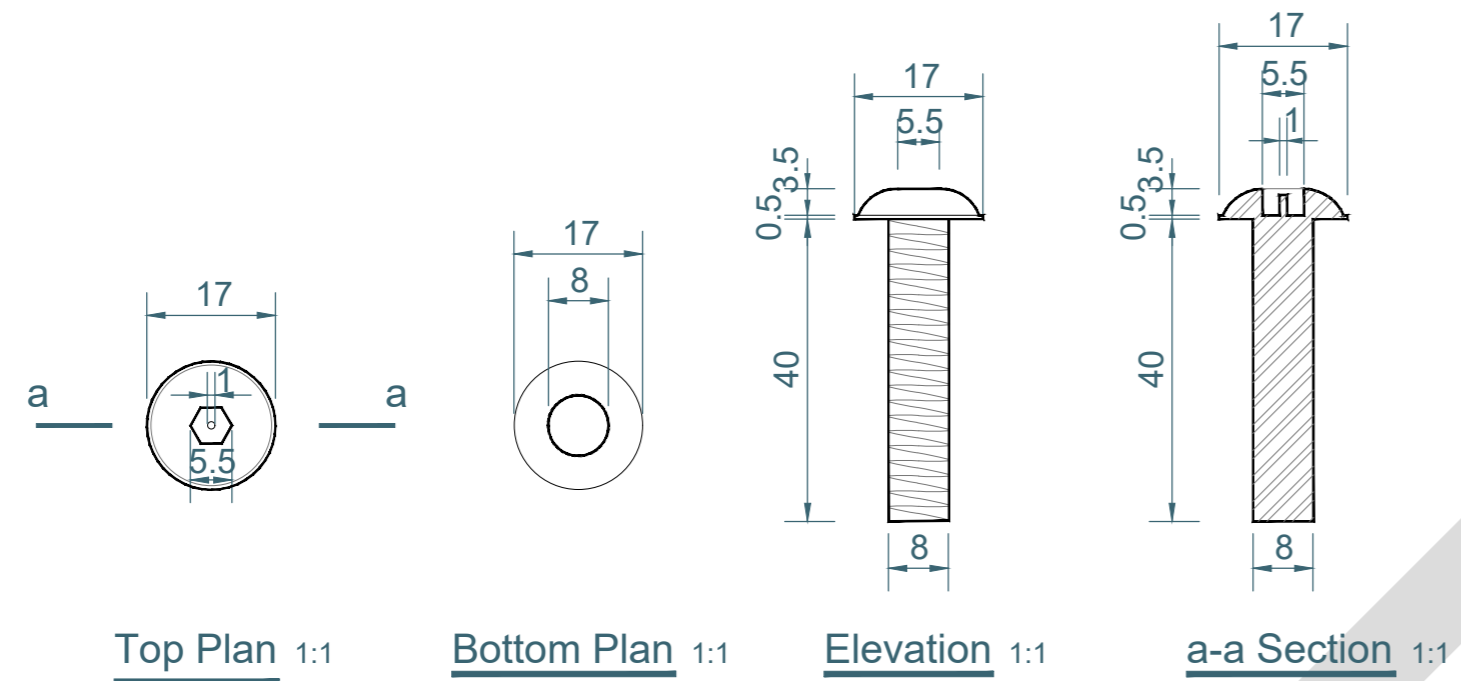
2.0m HIGH 60x60mm INTERMEDIATE DIG IN POST ONLY(AL2600mm)



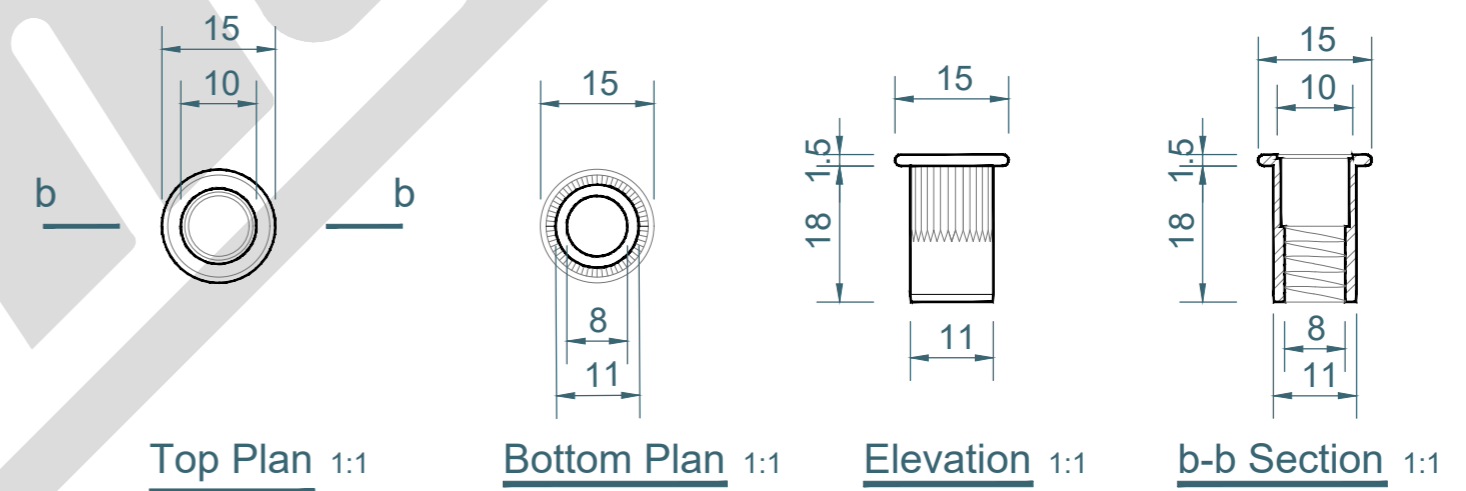
TITLE: 2.0m HIGH 60x60mm INTERMEDIATE DIG IN POST ONLY(AL2600mm)		SIZE:	RVE:	DRAWN:	DATE:	SCALE: 1:3	NOTE: SHOULD ANY DISCREPANCIES BE FOUND WITH THIS DRAWING,PLEASE INFORM AA FENCING. COPYRIGHT OF THIS DRAWING IS OWNED BY AA FENCING UK LIMITED
AA Fencing UK Ltd.The Wireworks Evans Road,Speke Liverpool L24 9PB		A2	1.0	W.CY	15/03/2025		
0151 363 1234 info@aafencing.co.uk		WEIGHT: POST 7.5kg			SHEET 2 OF 3		



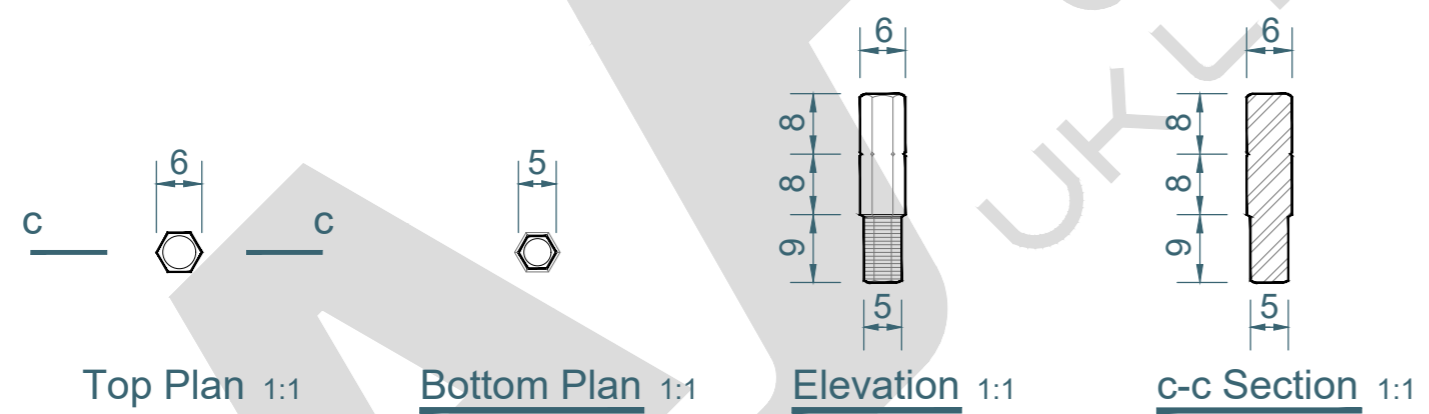
V BEAM PRISON MESH FITTINGS



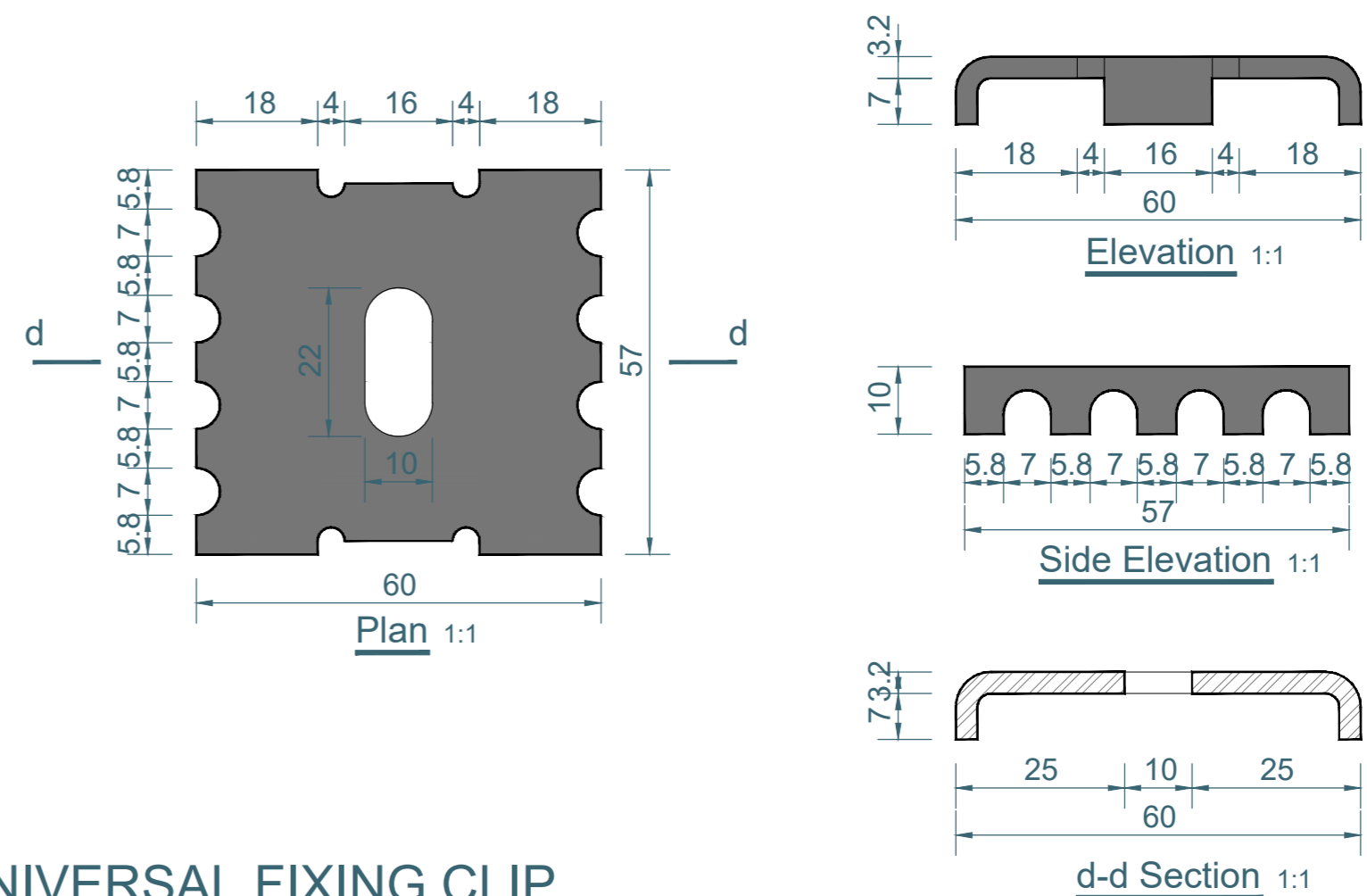
M8x40mm MESH SECURITY INSERT BOLT



SECURITY INSERT NUT



SECURITY KEY



UNIVERSAL FIXING CLIP

TITLE: V BEAM PRISON MESH FITTINGS

AA Fencing UK Ltd. The Wireworks Evans
Road, Speke Liverpool L24 9PB
0151 363 1234 info@aafencing.co.uk

SIZE:

A2

RVE:

1.0

DRAWN:

W.CY

DATE:

15/03/2025

SCALE:

1:1

WEIGHT: POST 7.5kg

SHEET 3 OF 3

NOTE:

SHOULD ANY DISCREPANCIES BE FOUND WITH THIS DRAWING, PLEASE INFORM AA FENCING. COPYRIGHT OF THIS DRAWING IS OWNED BY AA FENCING UK LIMITED

