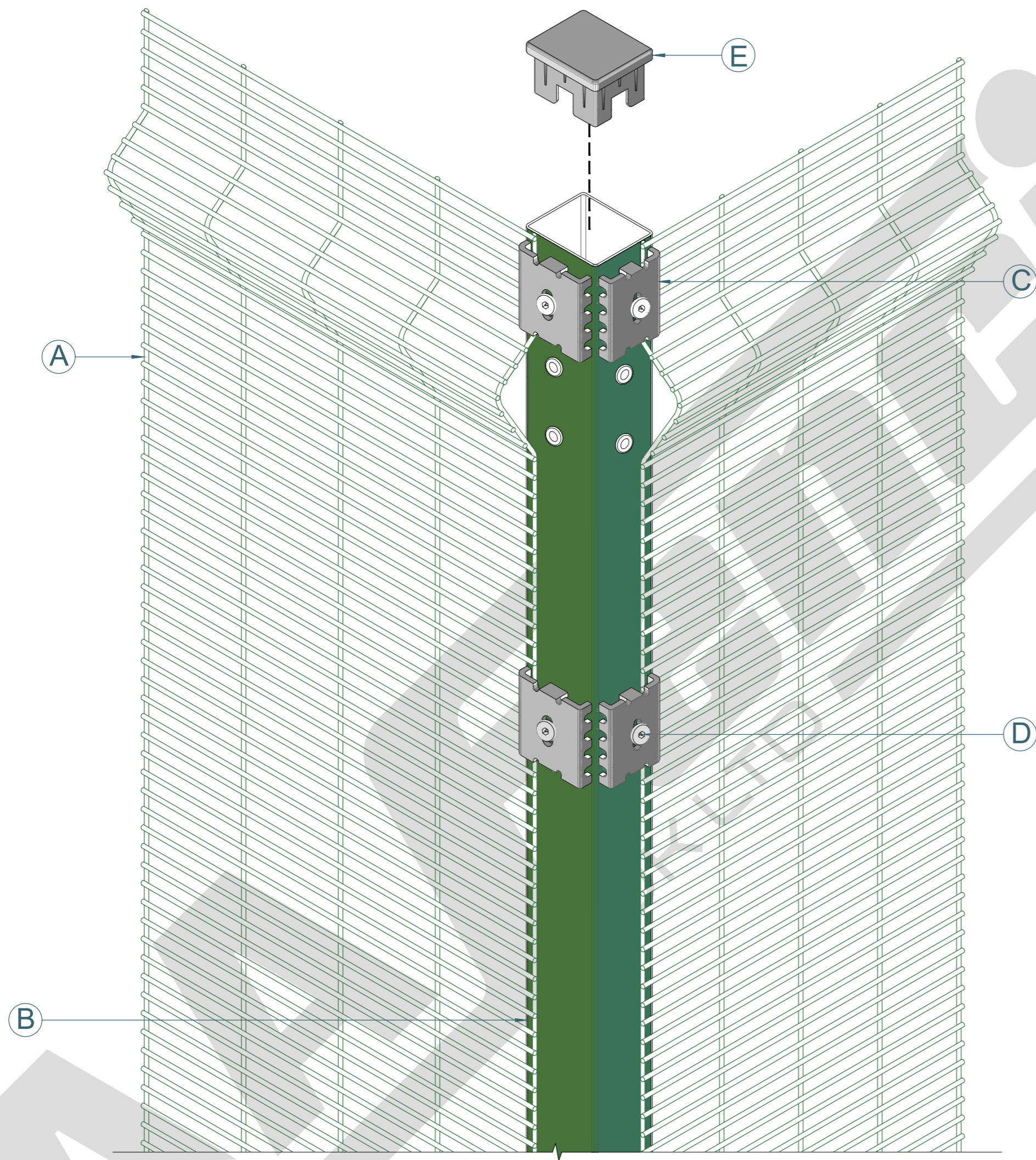
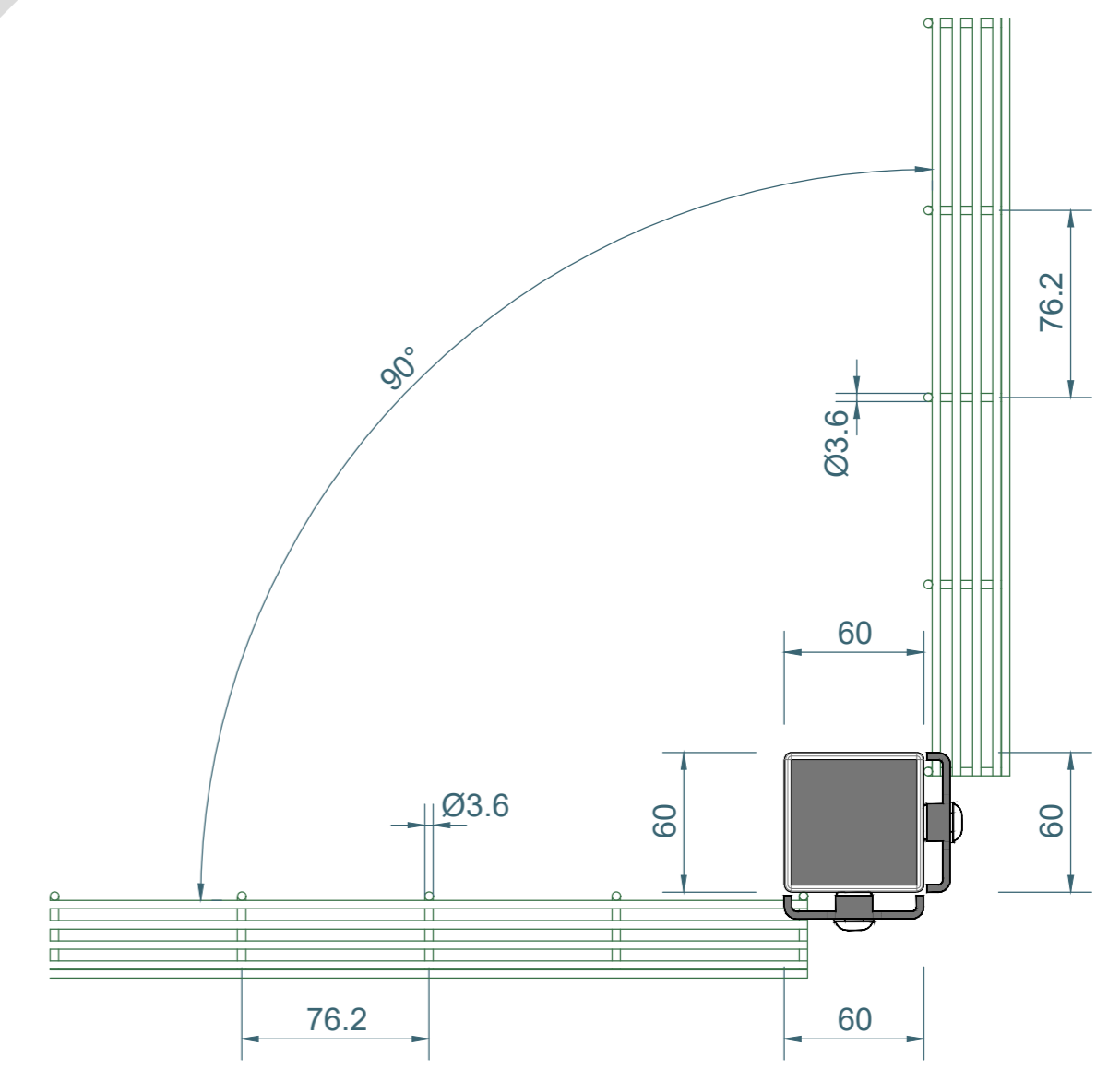


2.0m HIGH 358 V BEAM PRISON MESH WITH 60x60mm CORNER DIG IN BAY



Axonometric Drawing



Top Plan 1:3

ITEM	PARTS NAME	QUANTITY
A	MESH - 2.0m HIGH 358 V BEAM PRISON MESH PANEL ONLY	1
B	POST – 2.60m HIGH 60x60mm CORNER DIG IN POST ONLY	1
C	UNIVERSAL FIXING CLIP	12
D	M8x40mm MESH SECURITY INSERT BOLT	12
E	60x60mm BLACK CAP	1

NOTE: SHOULD ANY DISCREPANCIES BE FOUND WITH THIS DRAWING, PLEASE INFORM AA FENCING. COPYRIGHT OF THIS DRAWING IS OWNED BY AA FENCING UK LIMITED

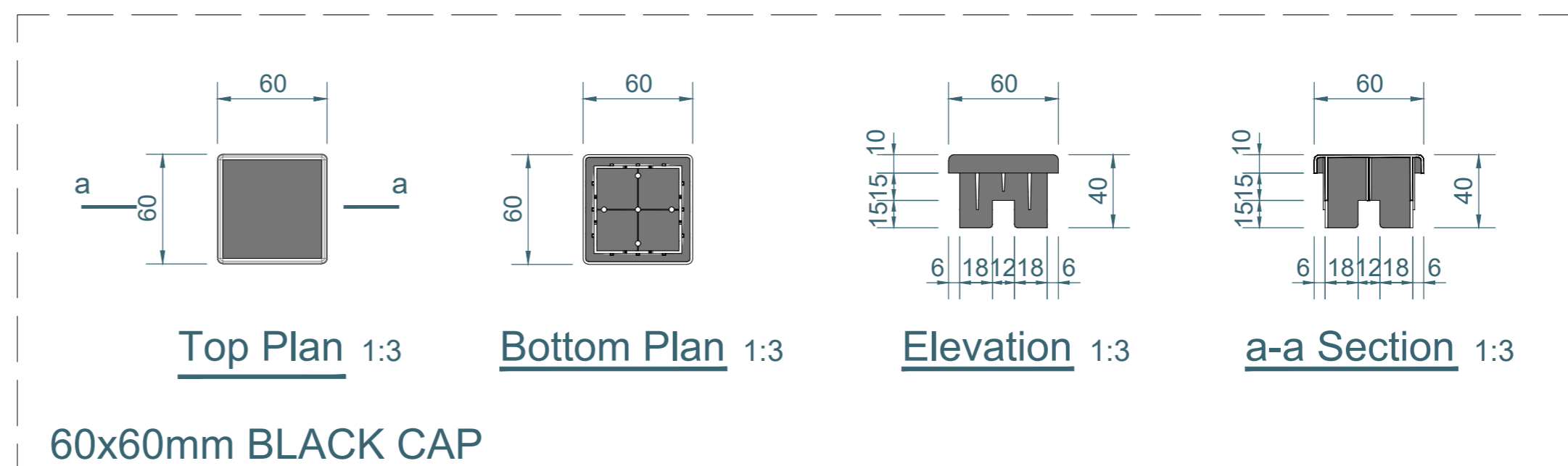
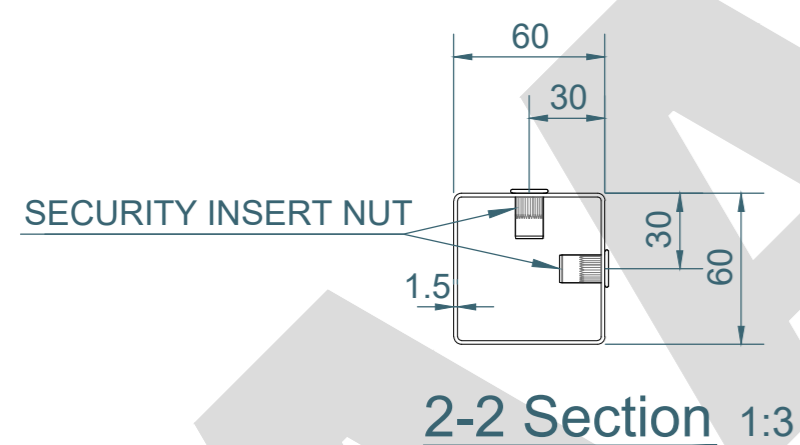
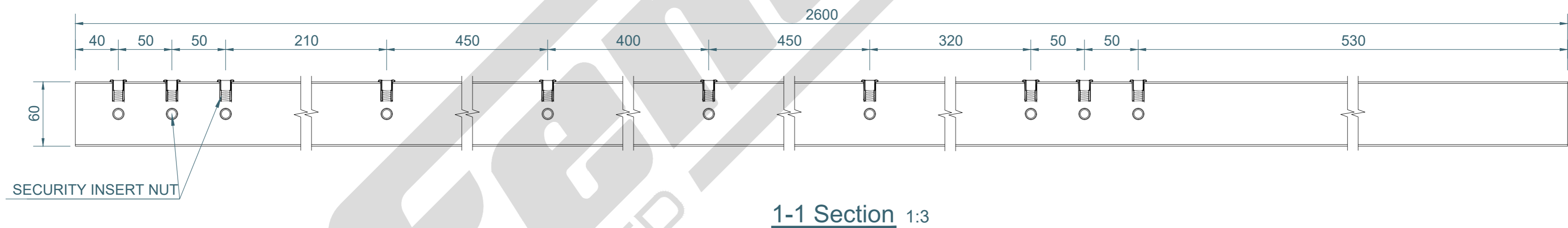
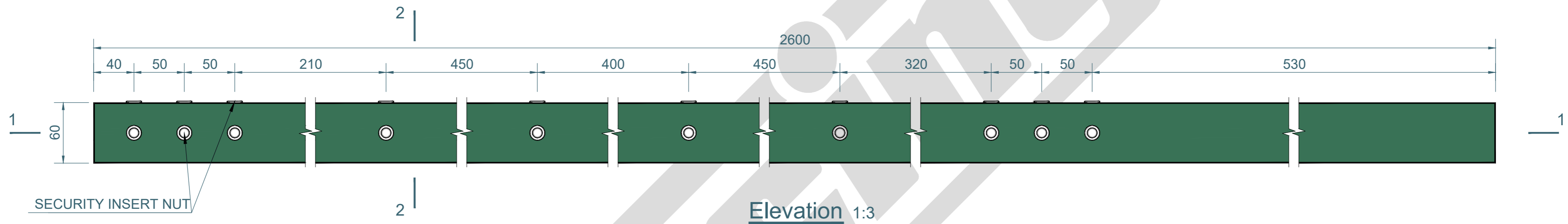
TITLE: 2.0m HIGH 358 V BEAM PRISON MESH WITH 60x60mm CORNER DIG IN BAY

AA Fencing UK Ltd. The Wireworks Evans
Road, Speke Liverpool L24 9PB
0151 363 1234 info@aafencing.co.uk

SIZE:	RVE:	DRAWN:	DATE:	SCALE:	1:3
A2	1.0	W.CY	15/03/2025		
WEIGHT: PANEL 35.5kg, POST 7.5kg			SHEET 1 OF 3		



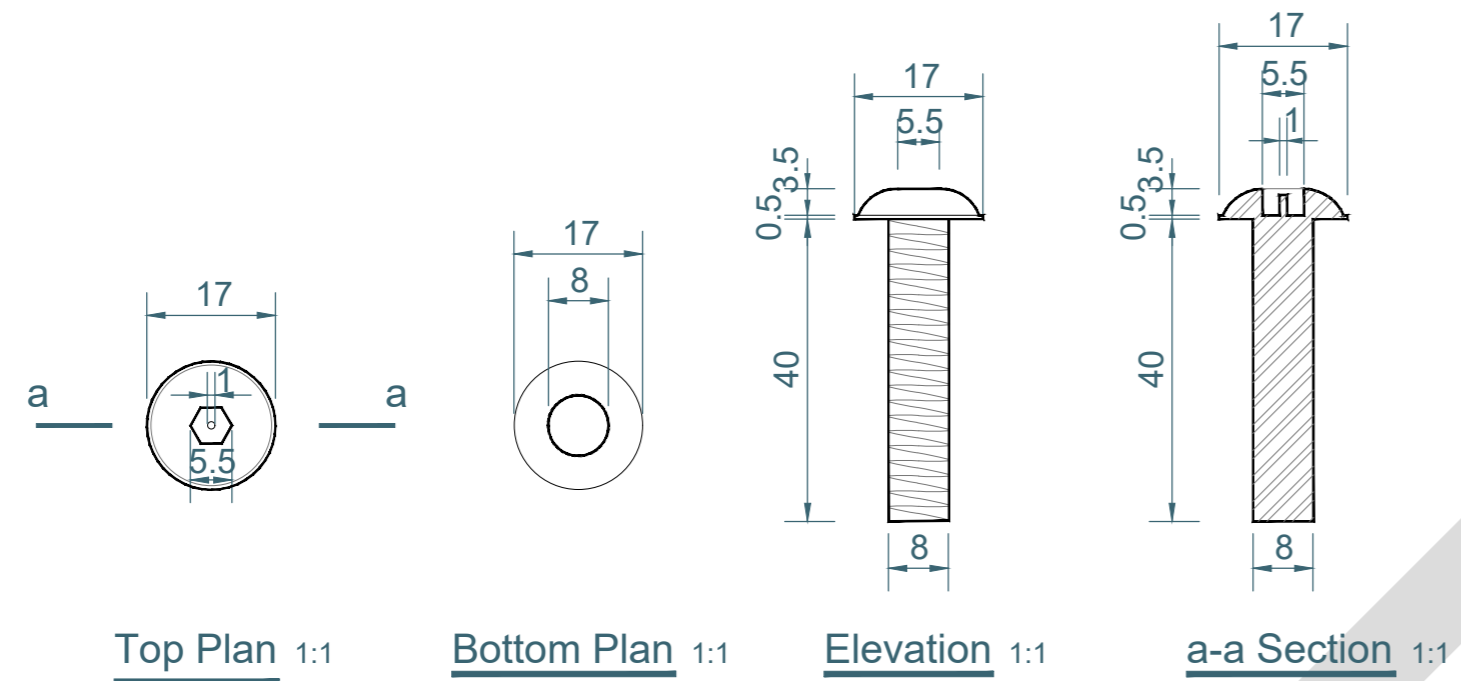
2.0m HIGH 60x60mm CORNER DIG IN POST ONLY (AL 2600mm)



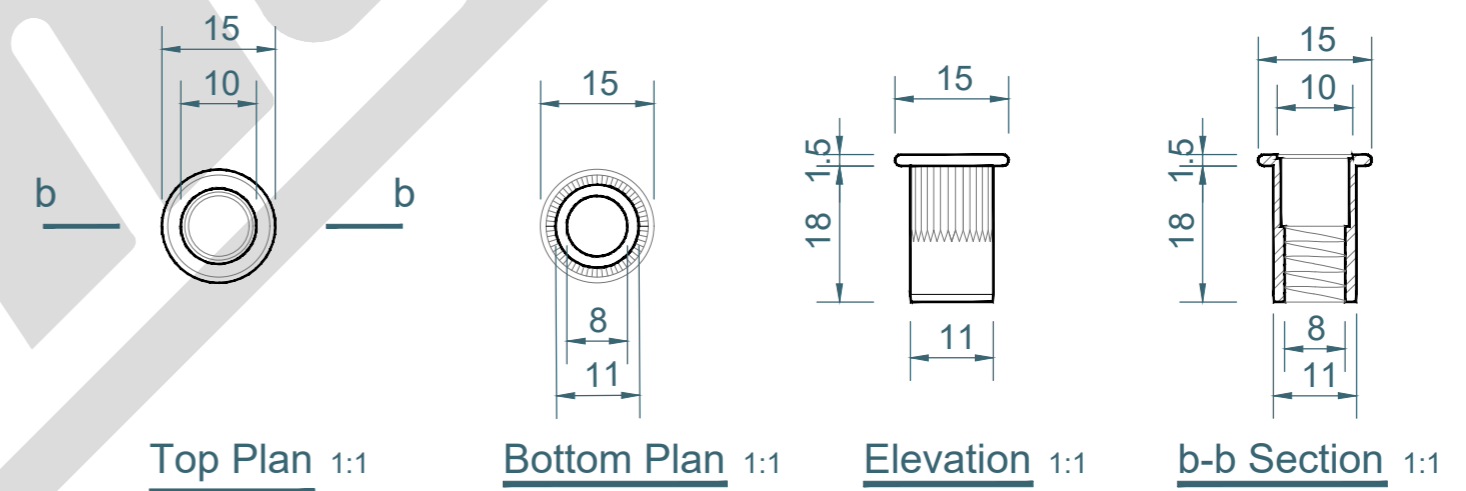
TITLE: 2.0m HIGH 60x60mm CORNER DIG IN POST ONLY (AL 2600mm)		SIZE:	RVE:	DRAWN:	DATE:	SCALE: 1:3	NOTE: SHOULD ANY DISCREPANCIES BE FOUND WITH THIS DRAWING, PLEASE INFORM AA FENCING. COPYRIGHT OF THIS DRAWING IS OWNED BY AA FENCING UK LIMITED
AA Fencing UK Ltd. The Wireworks Evans Road, Speke Liverpool L24 9PB 0151 363 1234 info@aafencing.co.uk		A2	1.0	W.CY	15/03/2025		
WEIGHT: POST 7.5kg				SHEET 2 OF 3			



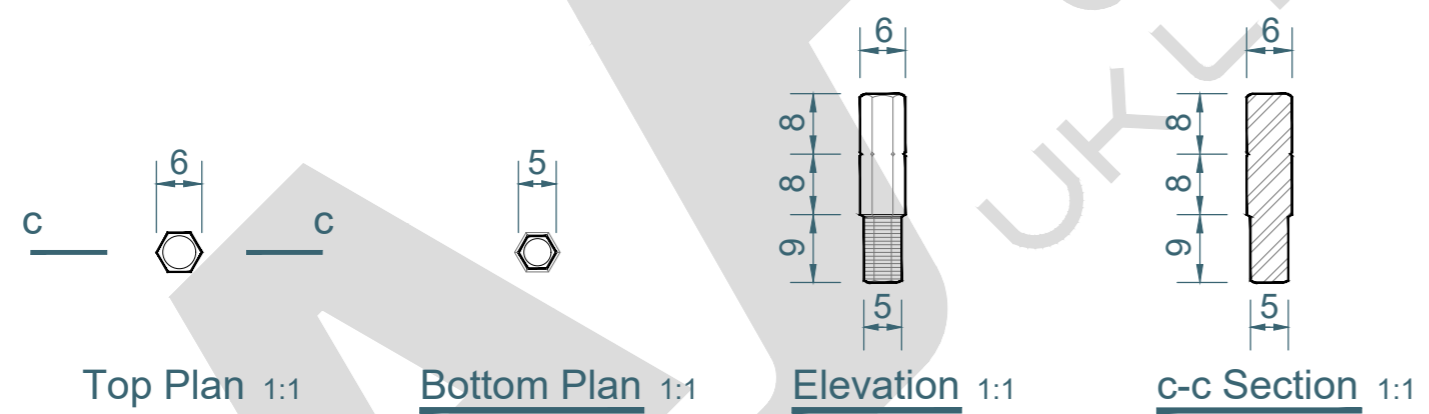
V BEAM PRISON MESH FITTINGS



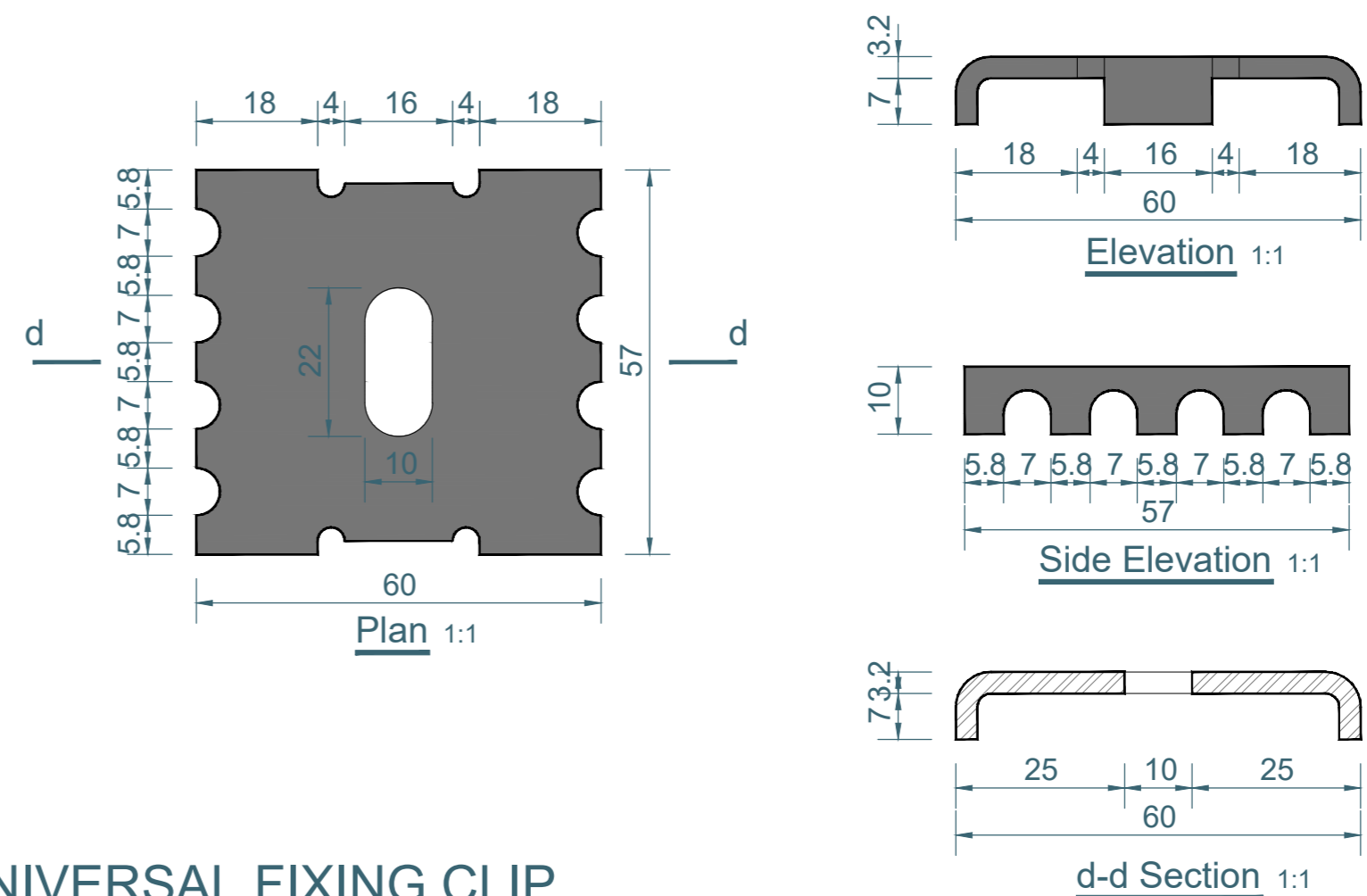
M8x40mm MESH SECURITY INSERT BOLT



SECURITY INSERT NUT



SECURITY KEY



UNIVERSAL FIXING CLIP

TITLE: V BEAM PRISON MESH FITTINGS

AA Fencing UK Ltd. The Wireworks Evans
Road, Speke Liverpool L24 9PB
0151 363 1234 info@aafencing.co.uk

SIZE:

A2

RVE:

1.0

DRAWN:

W.CY

DATE:

15/03/2025

SCALE:

1:1

WEIGHT: POST 7.5kg

SHEET 3 OF 3

NOTE:

SHOULD ANY DISCREPANCIES BE FOUND WITH THIS DRAWING, PLEASE INFORM AA FENCING. COPYRIGHT OF THIS DRAWING IS OWNED BY AA FENCING UK LIMITED

