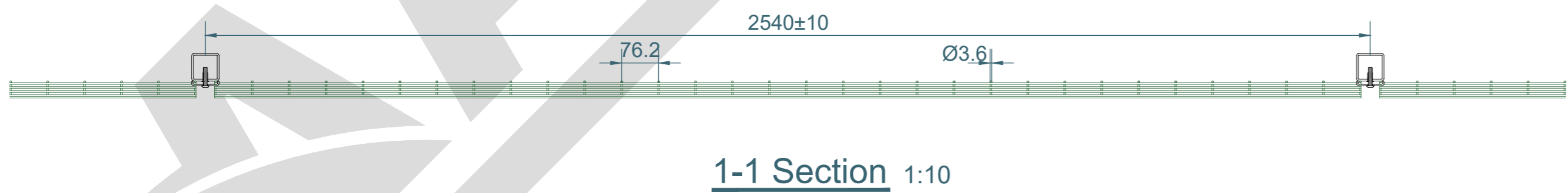
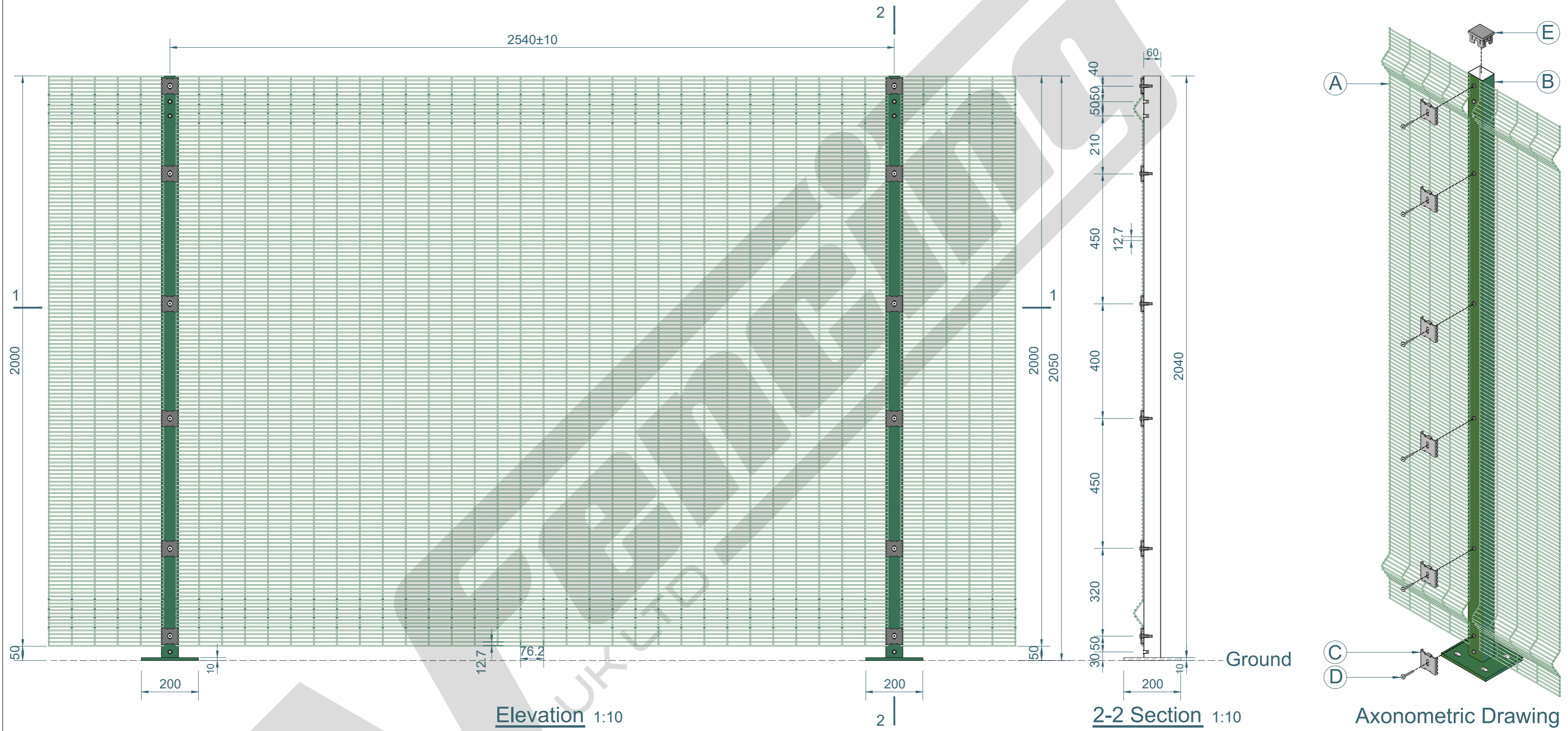


# 2.0m HIGH 358 V BEAM PRISON MESH WITH 60x60mm BOLT DOWN BAY



ITEM	PARTS NAME	QUANTITY
A	MESH - 2.0m HIGH 358 V BEAM PRISON MESH PANEL ONLY	1
B	POST – 2.05m HIGH 60x60mm BOLT DOWN POST ONLY	1
C	UNIVERSAL FIXING CLIP	6
D	M8x40mm MESH SECURITY INSERT BOLT	6
E	60x60mm BLACK CAP	1

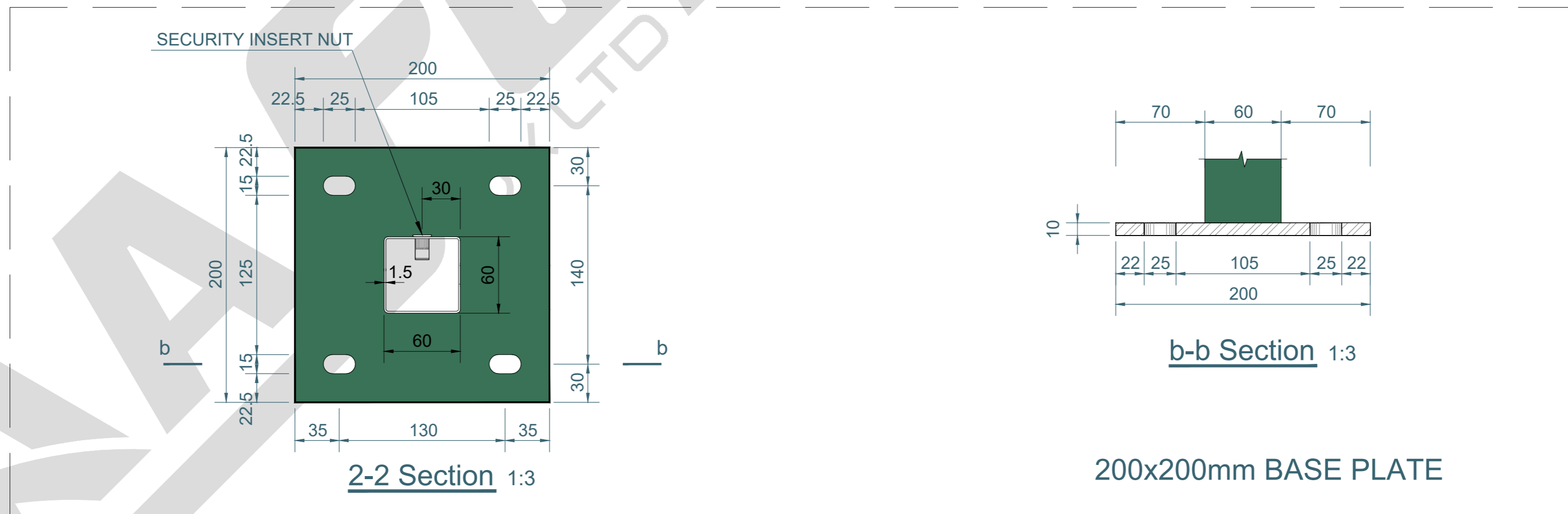
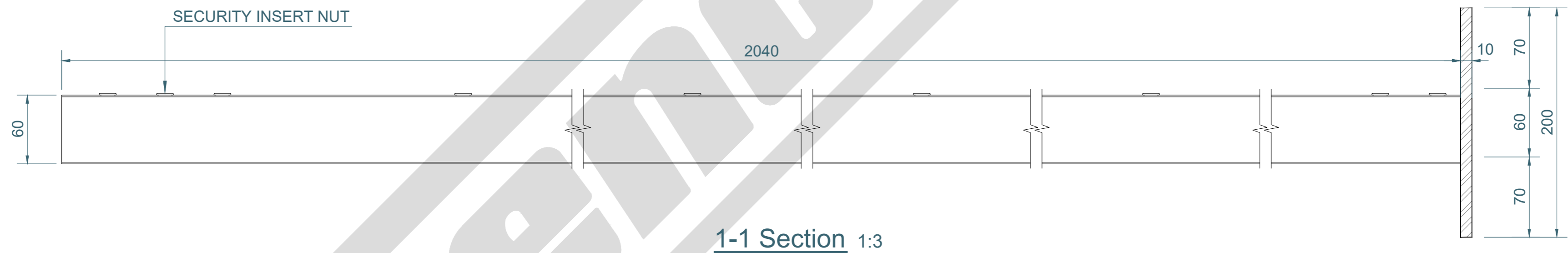
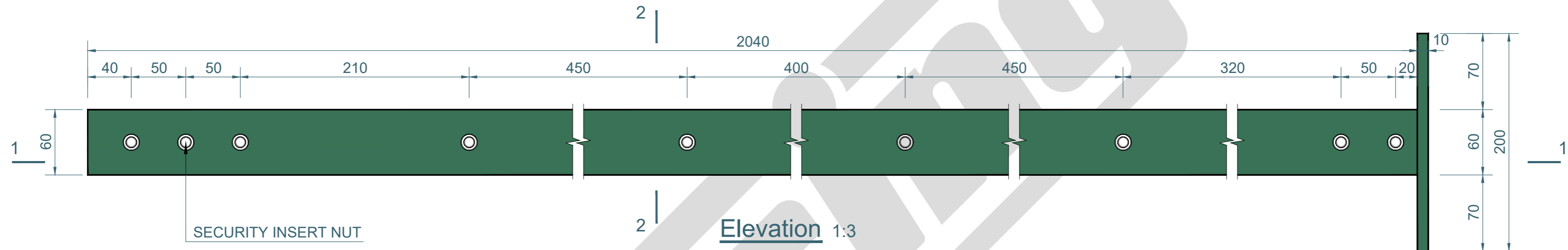
TITLE: 2.0m HIGH 358 V BEAM PRISON MESH WITH 60x60mm BOLT DOWN BAY

**AA Fencing** UK Ltd. The Wireworks Evans  
 Road, Speke Liverpool L24 9PB  
 0151 363 1234 info@aafencing.co.uk

SIZE: A2 RVE: 1.0 DRAWN: W.CY DATE: 15/03/2025  
 SCALE: 1:10  
 WEIGHT: PANEL 35.5kg, POST 8.89kg SHEET 1 OF 3

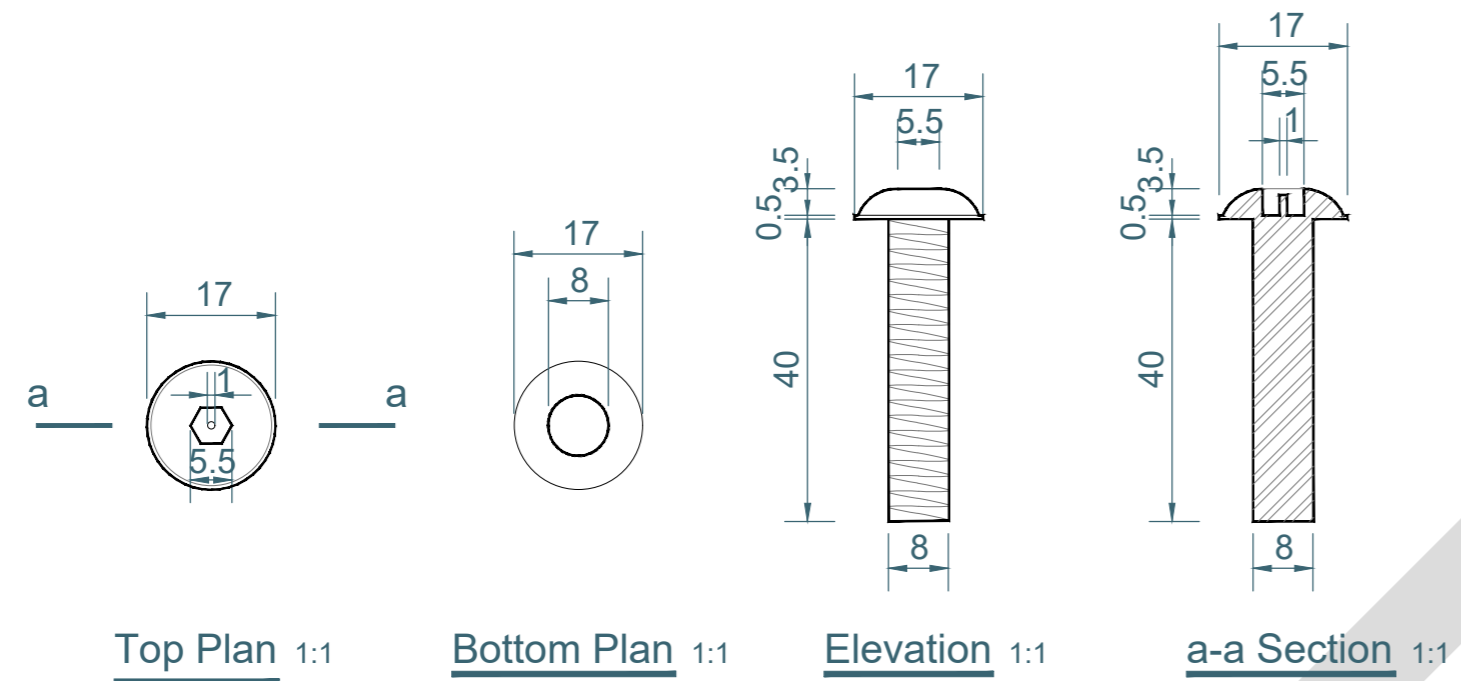
NOTE: SHOULD ANY DISCREPANCIES BE FOUND WITH THIS DRAWING, PLEASE INFORM AA FENCING. COPYRIGHT OF THIS DRAWING IS OWNED BY AA FENCING UK LIMITED

# 2.0m HIGH 60x60mm INTERMEDIATE BOLT DOWN POST ONLY(AL 2050mm)

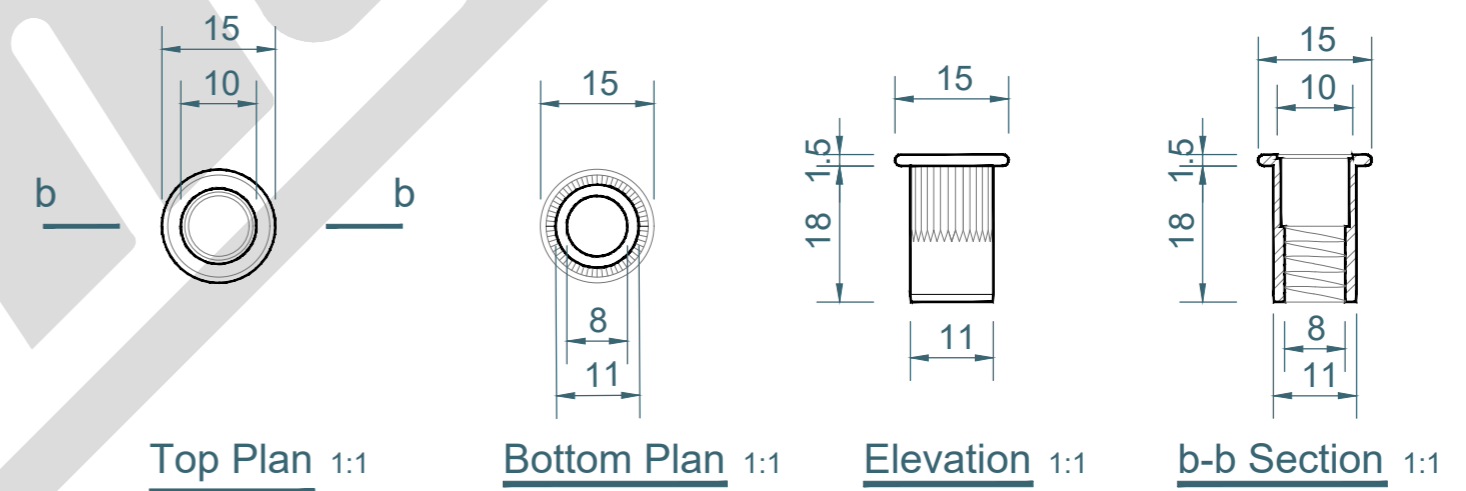


TITLE: 2.0m HIGH 60x60mm INTERMEDIATE BOLT DOWN POST ONLY(AL 2050mm)		SIZE: A2	RVE: 1.0	DRAWN: W.CY	DATE: 15/03/2025	SCALE: 1:3	NOTE: SHOULD ANY DISCREPANCIES BE FOUND WITH THIS DRAWING,PLEASE INFORM AA FENCING. COPYRIGHT OF THIS DRAWING IS OWNED BY AA FENCING UK LIMITED
AA Fencing UK Ltd.The Wireworks Evans Road,Speke Liverpool L24 9PB 0151 363 1234 info@aafencing.co.uk		WEIGHT: POST 8.89kg			SHEET 2 OF 3		

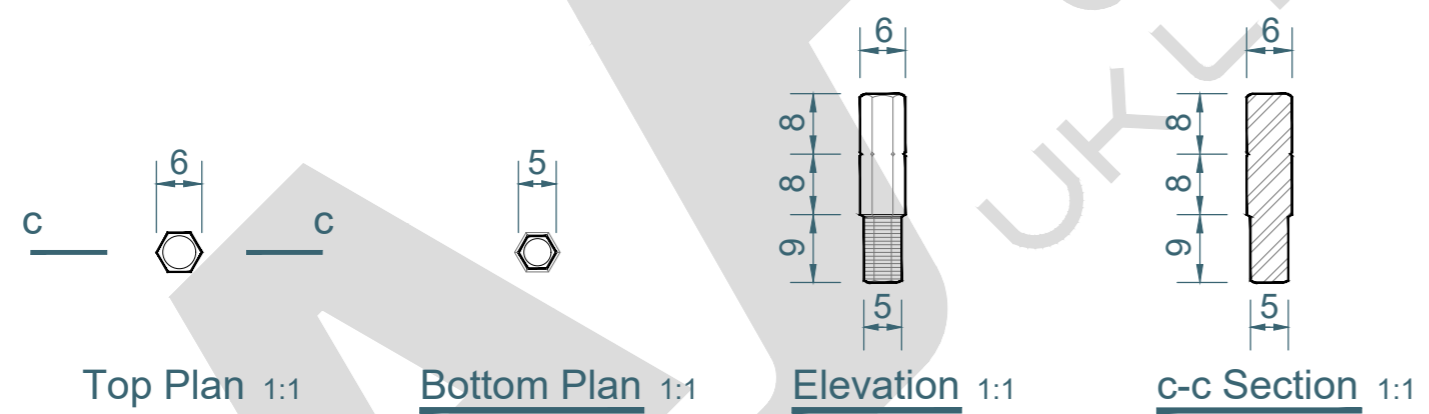
# V BEAM PRISON MESH FITTINGS



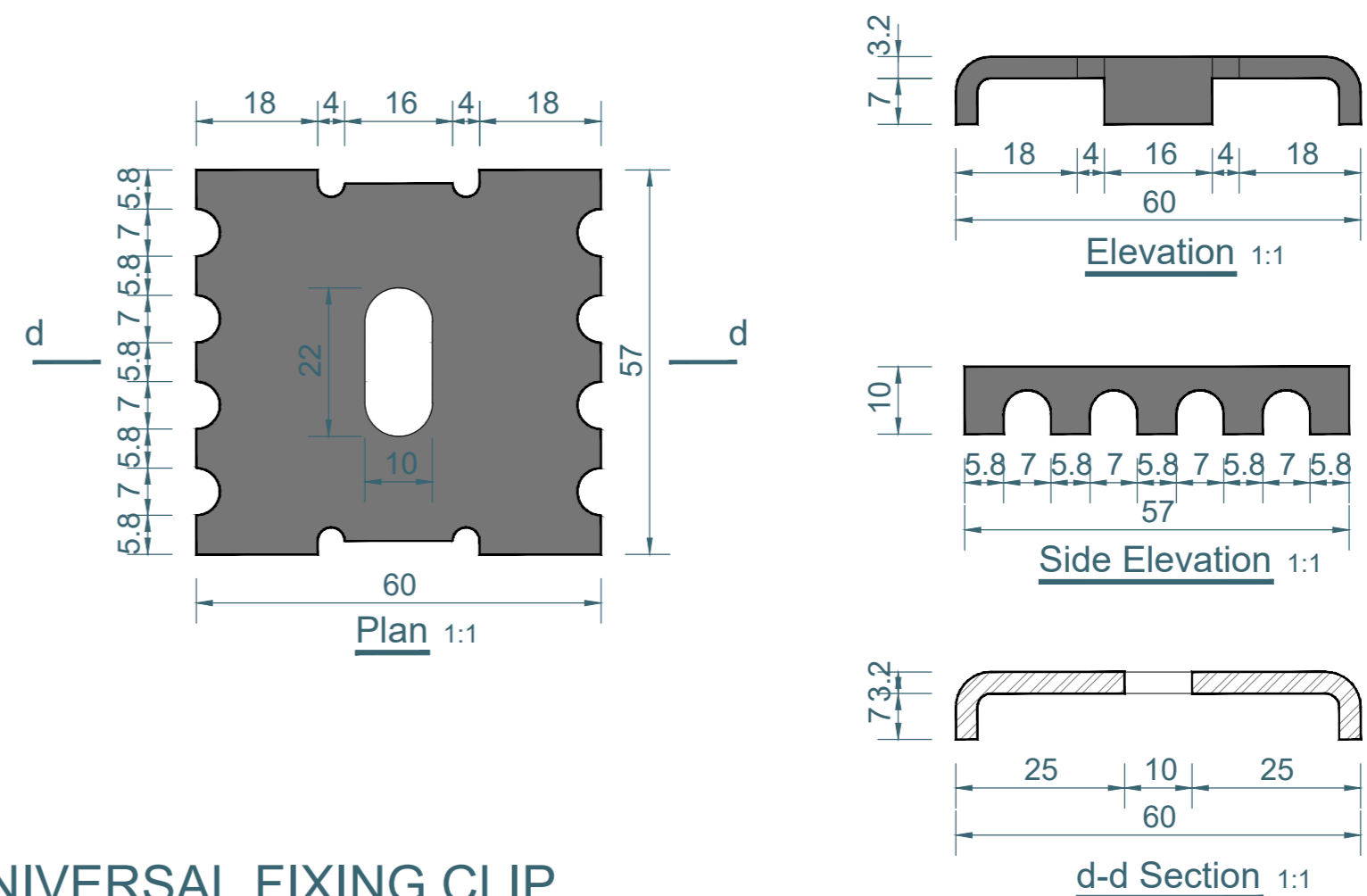
M8x40mm MESH SECURITY INSERT BOLT



SECURITY INSERT NUT



SECURITY KEY



UNIVERSAL FIXING CLIP

TITLE: V BEAM PRISON MESH FITTINGS

AA Fencing UK Ltd. The Wireworks Evans  
Road, Speke Liverpool L24 9PB  
0151 363 1234 info@aa fencing.co.uk

SIZE:

A2

RVE:

1.0

DRAWN:

W.CY

DATE:

15/03/2025

SCALE:

1:1

WEIGHT: POST 8.89kg

SHEET 3 OF 3

NOTE:

SHOULD ANY DISCREPANCIES BE FOUND WITH THIS DRAWING, PLEASE INFORM AA FENCING. COPYRIGHT OF THIS DRAWING IS OWNED BY AA FENCING UK LIMITED