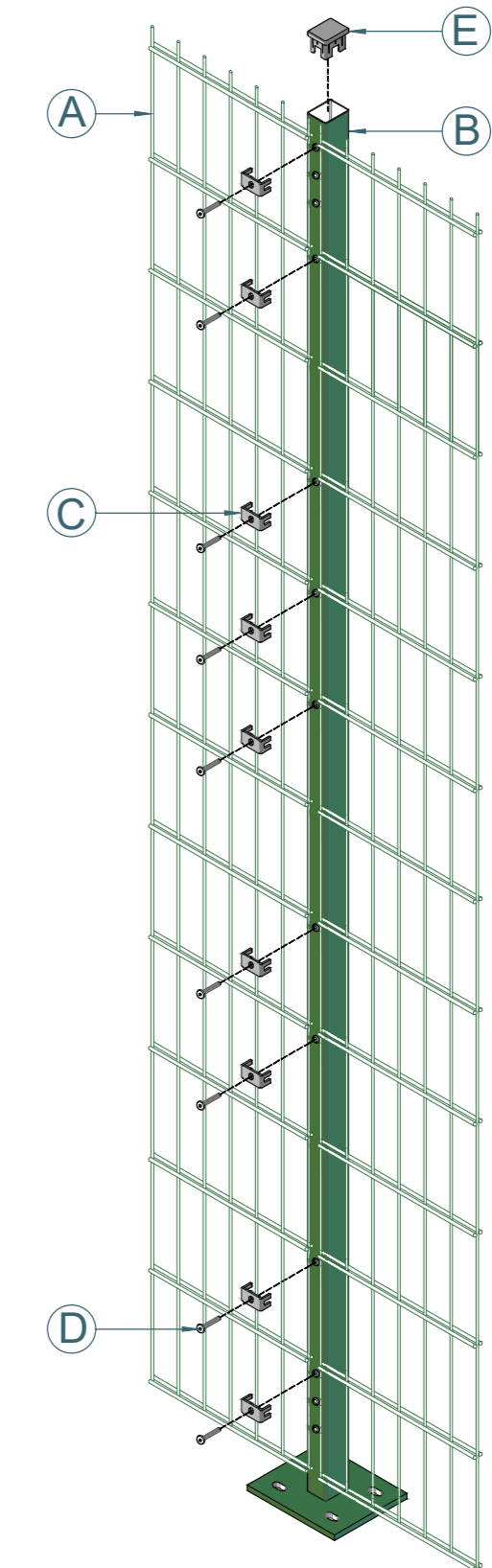
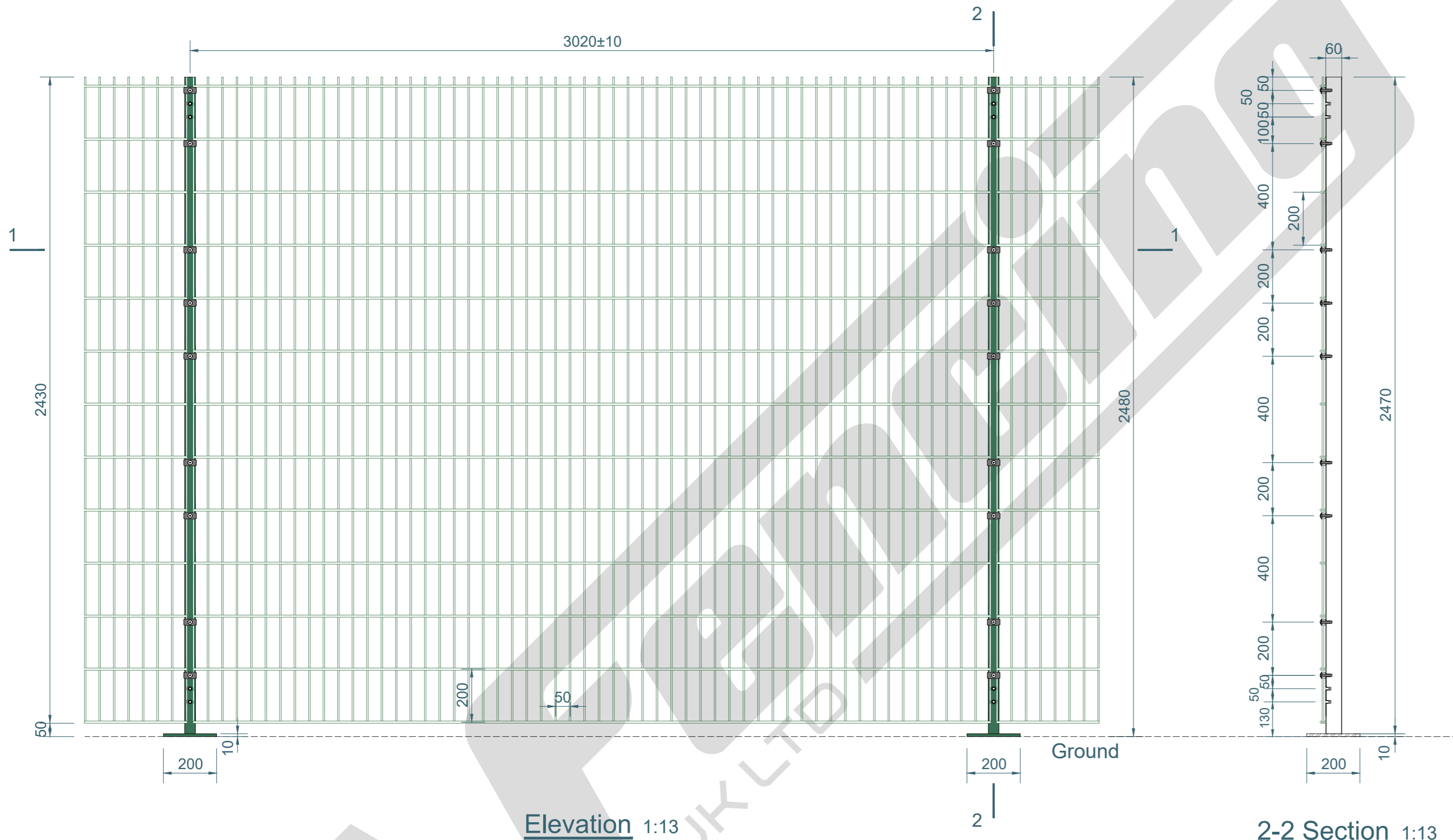
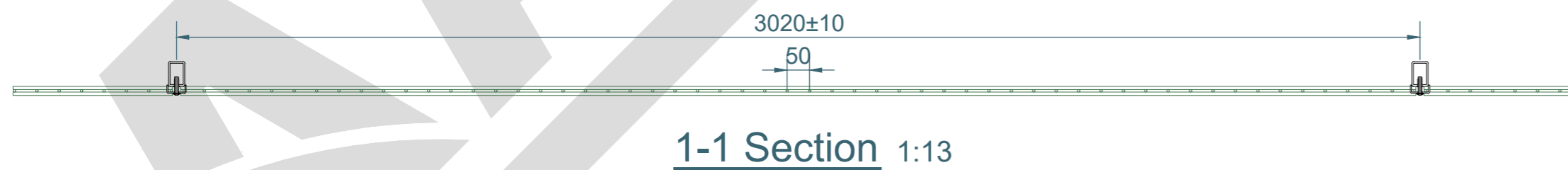


2.4m HIGH 868 TWIN MESH WITH 40x60mm BOLT DOWN BAY



Axonometric Drawing

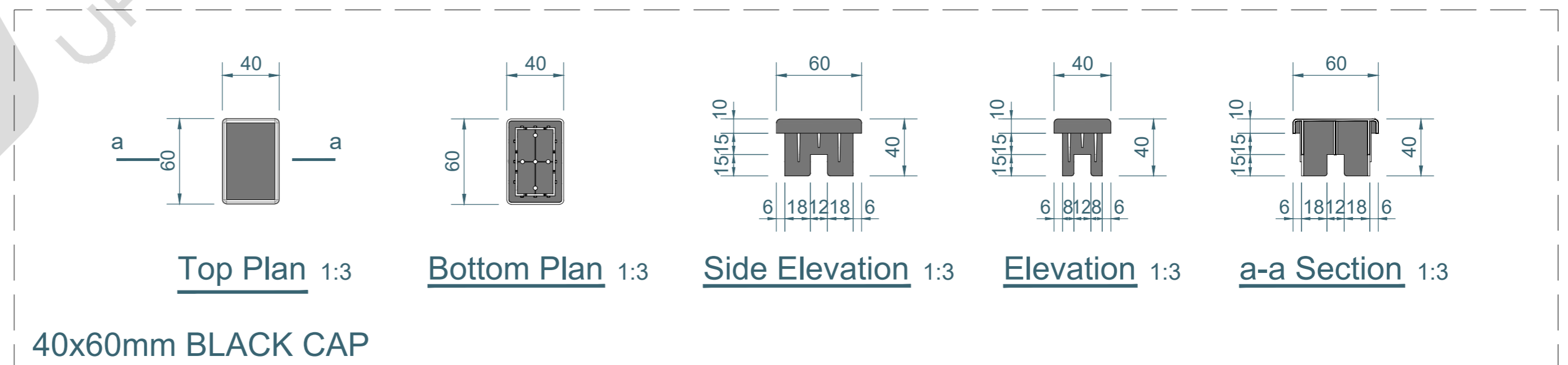
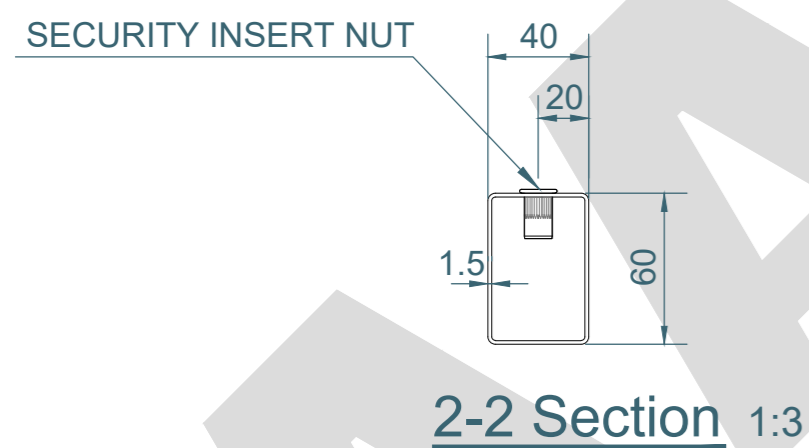
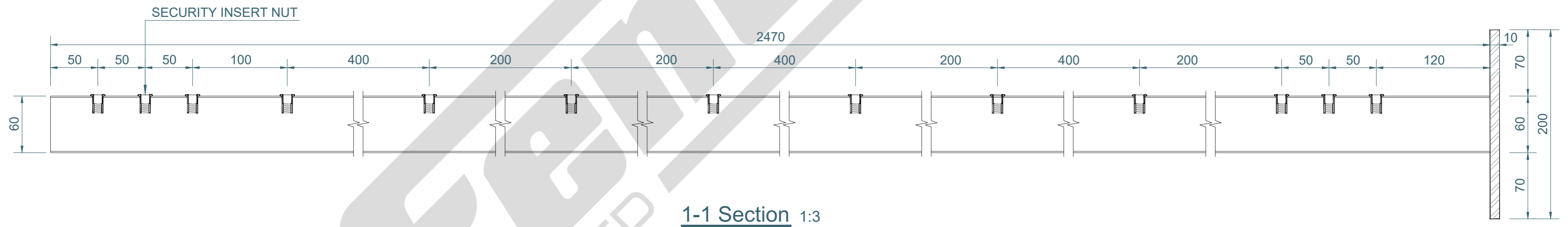
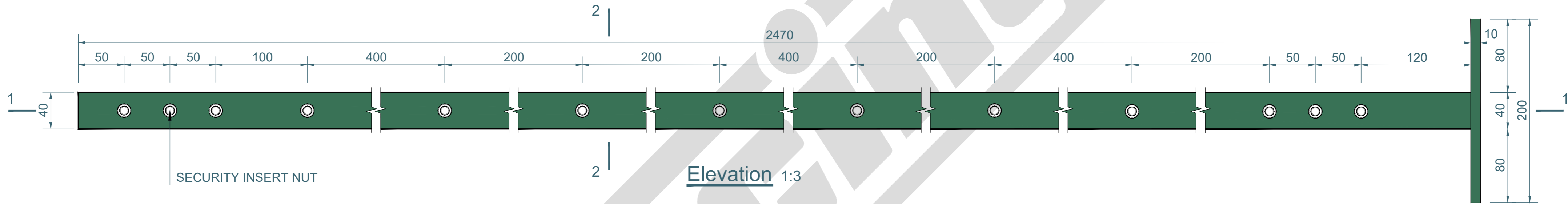


ITEM	PARTS NAME	QUANTITY
A	MESH – 2.4m 868 TWIN MESH PANEL ONLY	1
B	POST – 2.48m HIGH 40x60mm DIG IN POST ONLY	1
C	UNIVERSAL FIXING CLIP	9
D	M8x40mm MESH SECURITY INSERT BOLT	9
E	40x60mm BLACK CAP	1

NOTE: SHOULD ANY DISCREPANCIES BE FOUND WITH THIS DRAWING, PLEASE INFORM AA FENCING. COPYRIGHT OF THIS DRAWING IS OWNED BY AA FENCING UK LIMITED

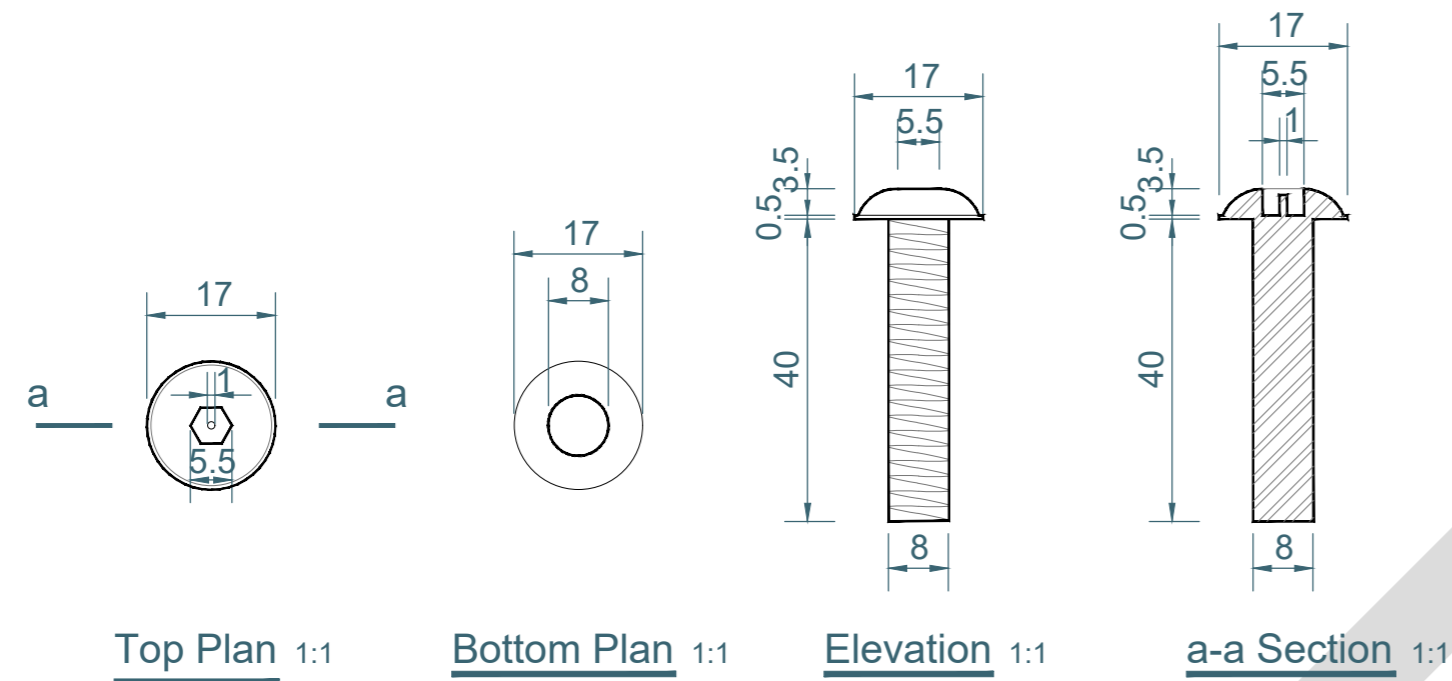


2.4m HIGH 40x60mm INTERMEDIATE BOLT DOWN POST ONLY(AL2480mm)

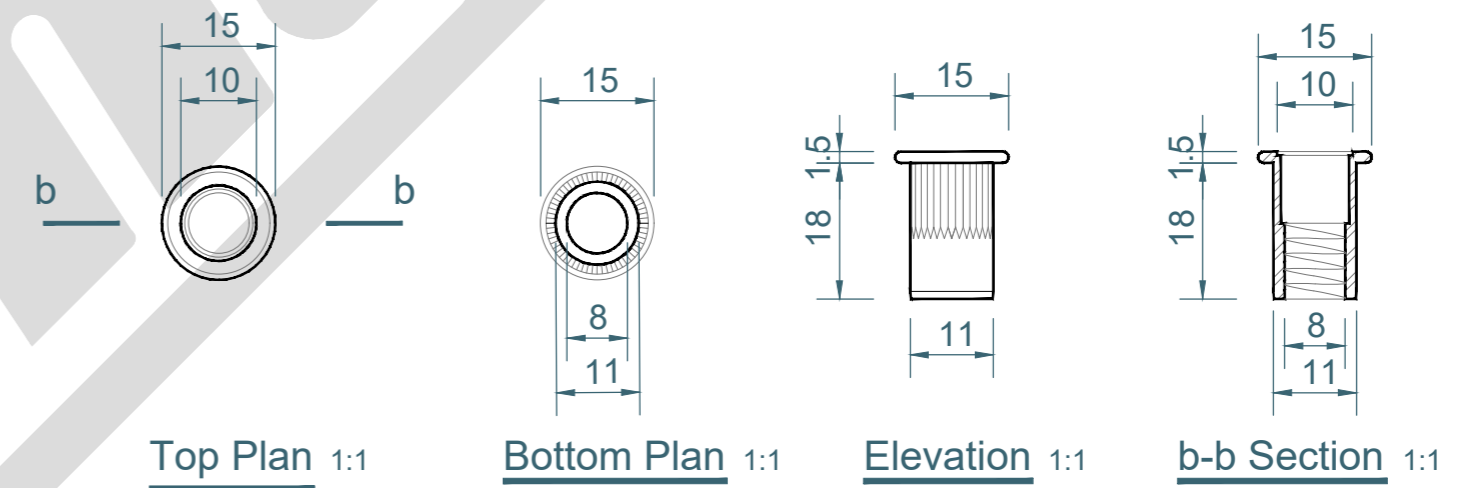


AA Fencing AA Fencing UK Ltd. The Wireworks Evans Road, Speke Liverpool L24 9PB 0151 363 1234 info@aafencing.co.uk	TITLE: 2.4m HIGH 40x60mm INTERMEDIATE BOLT DOWN POST ONLY(AL2480mm)	SIZE: A2	RVE: 1.0	DRAWN: W.CY	DATE: 15/03/2025	SCALE: 1:3	NOTE: SHOULD ANY DISCREPANCIES BE FOUND WITH THIS DRAWING, PLEASE INFORM AA FENCING. COPYRIGHT OF THIS DRAWING IS OWNED BY AA FENCING UK LIMITED
	WEIGHT: POST 8.62kg				SHEET 2 OF 3		

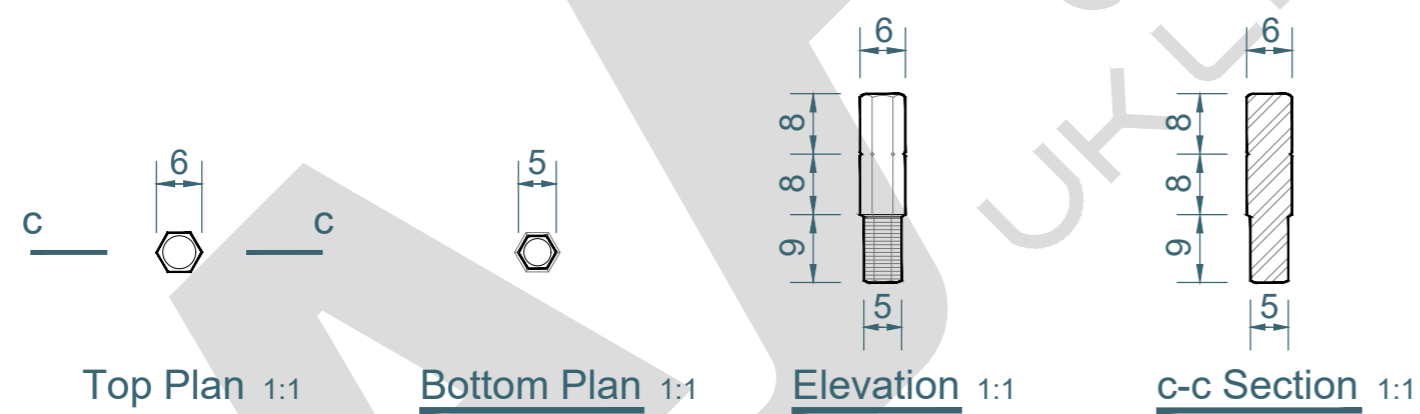
TWIN MESH FITTINGS



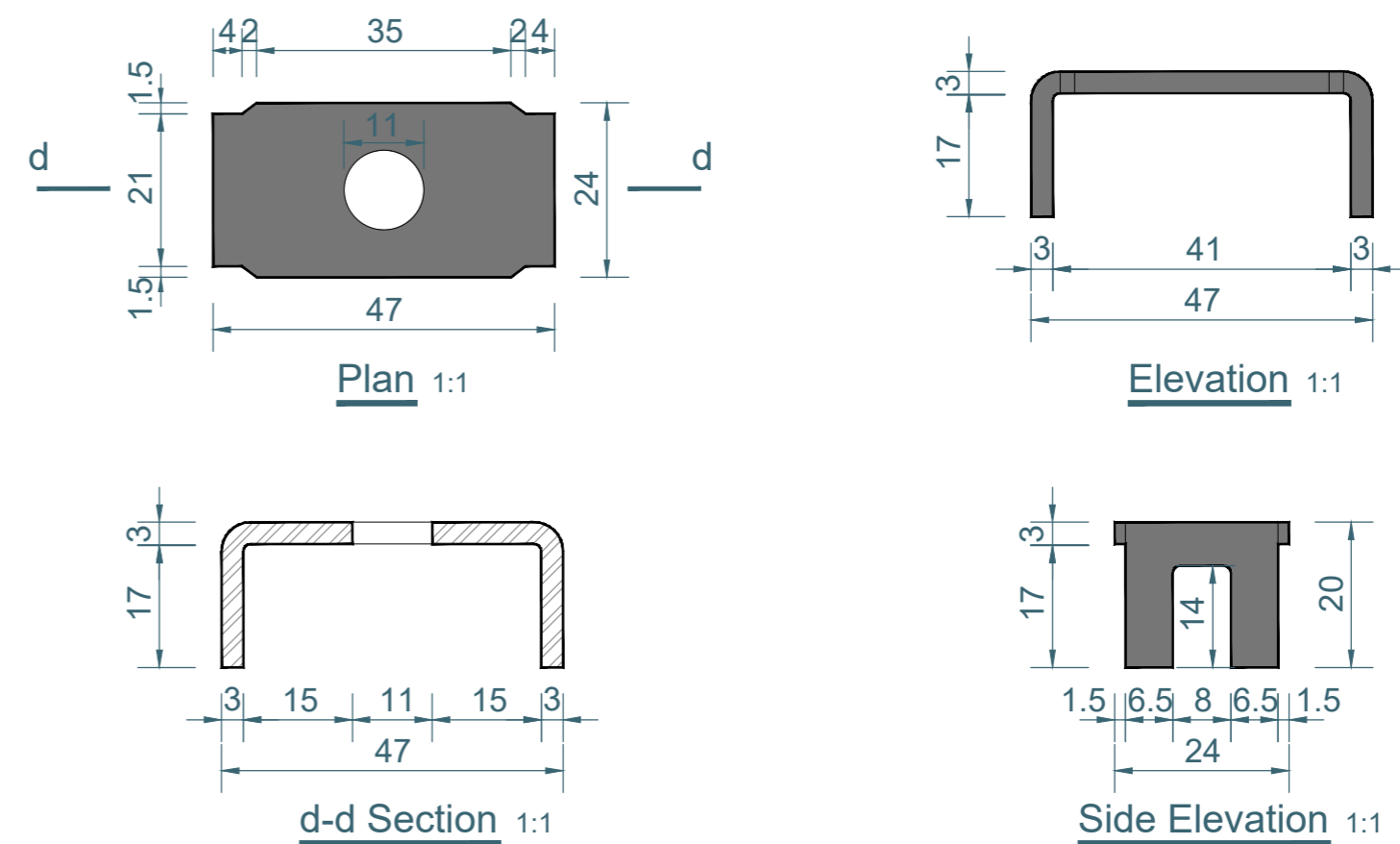
M8x40mm MESH SECURITY INSERT BOLT



SECURITY INSERT NUT



SECURITY KEY



UNIVERSAL FIXING CLIP

TITLE: TWIN MESH FITTINGS

AA Fencing UK Ltd. The Wireworks Evans
Road, Speke Liverpool L24 9PB
0151 363 1234 info@aafencing.co.uk

SIZE:

A2

RVE:

1.0

DRAWN:

W.CY

DATE:

15/03/2025

SCALE:

1:1

WEIGHT: POST 8.62kg

SHEET 3 OF 3

NOTE:

SHOULD ANY DISCREPANCIES BE FOUND WITH THIS DRAWING, PLEASE INFORM AA FENCING. COPYRIGHT OF THIS DRAWING IS OWNED BY AA FENCING UK LIMITED