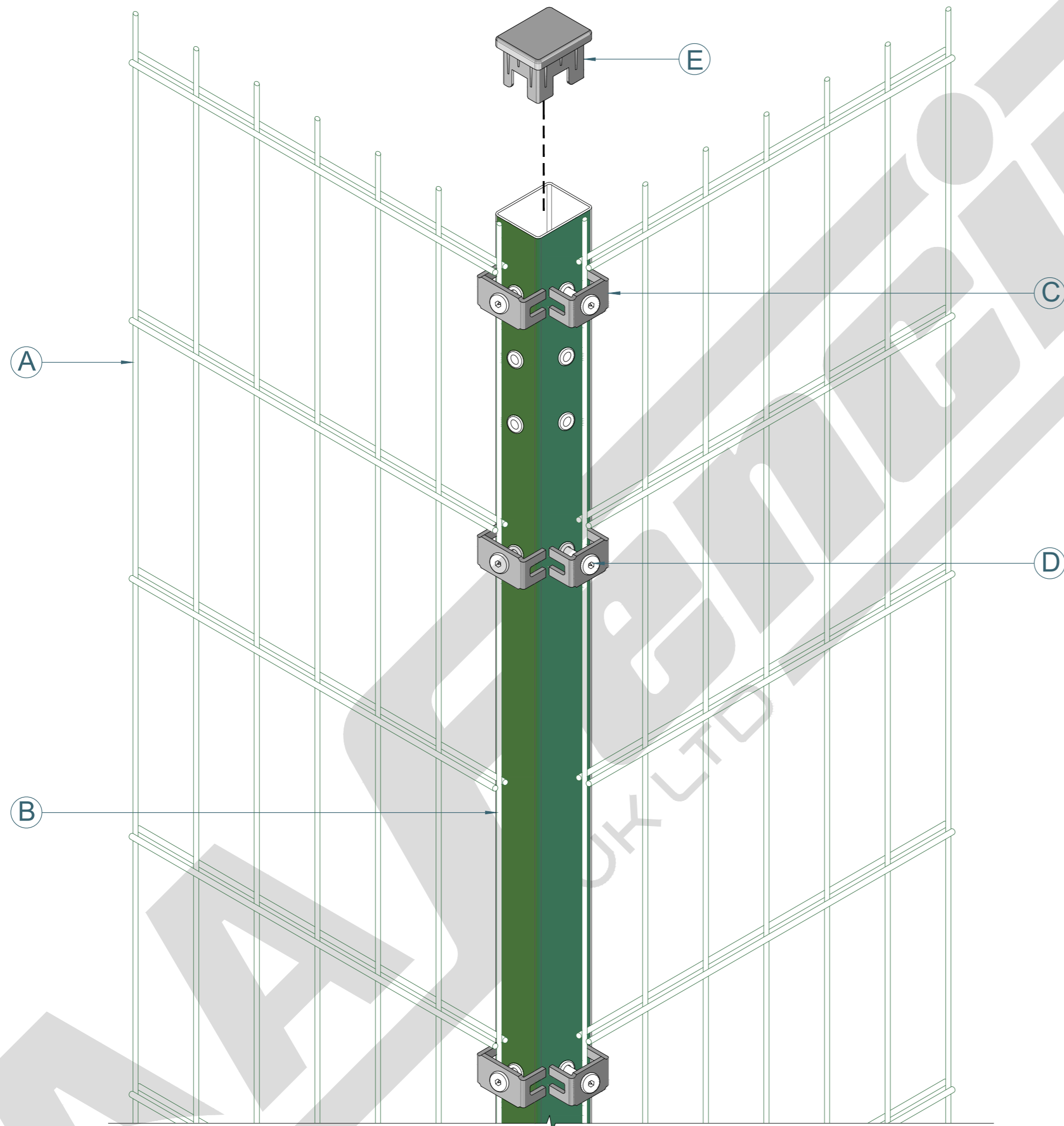
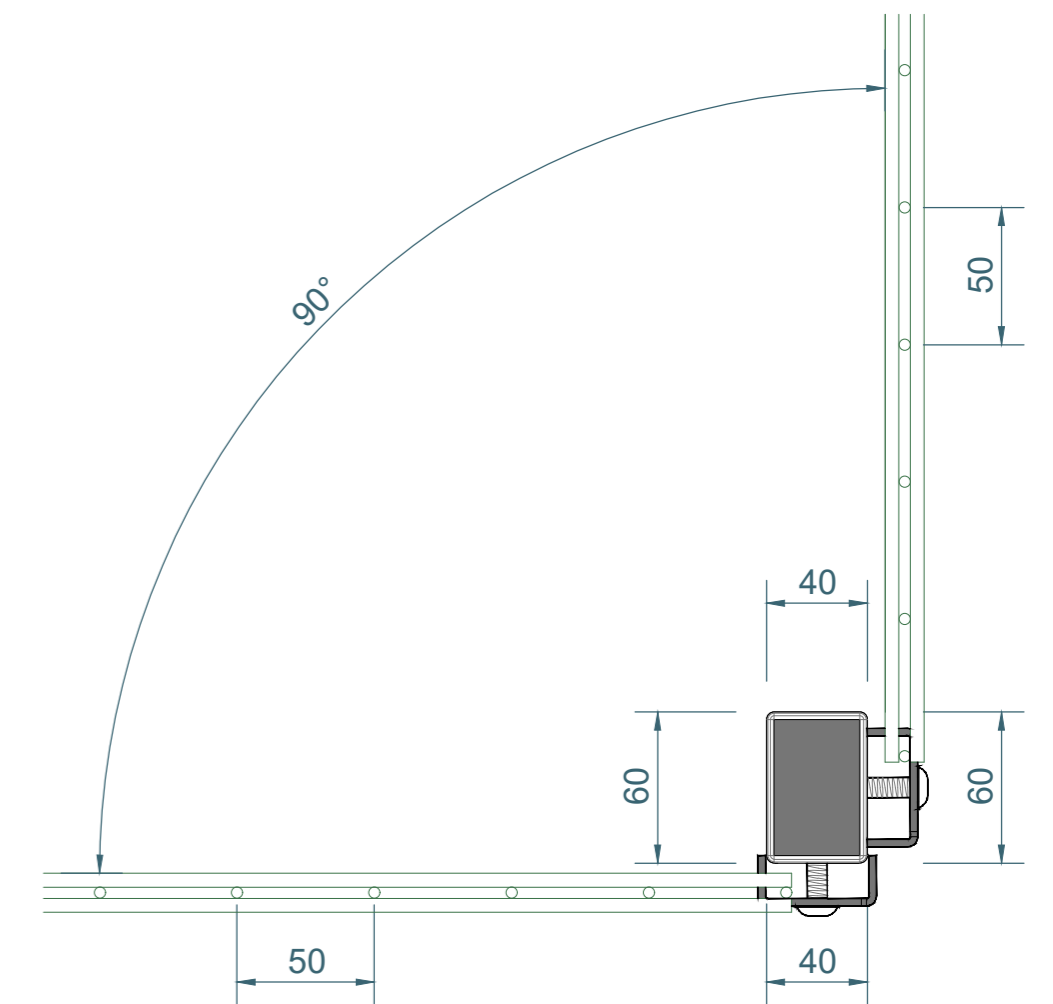


2.4m HIGH 656 TWIN MESH WITH 40x60mm CORNER DIG IN BAY



Axonometric Drawing



Top Plan 1:3

ITEM	PARTS NAME	QUANTITY
A	MESH – 2.4m 656 TWIN MESH PANEL ONLY	1
B	POST – 3.1m HIGH 40x60mm CORNER DIG IN POST ONLY	1
C	UNIVERSAL FIXING CLIP	18
D	M8x40mm MESH SECURITY INSERT BOLT	18
E	40x60mm BLACK CAP	1

NOTE: SHOULD ANY DISCREPANCIES BE FOUND WITH THIS DRAWING, PLEASE INFORM AA FENCING. COPYRIGHT OF THIS DRAWING IS OWNED BY AA FENCING UK LIMITED

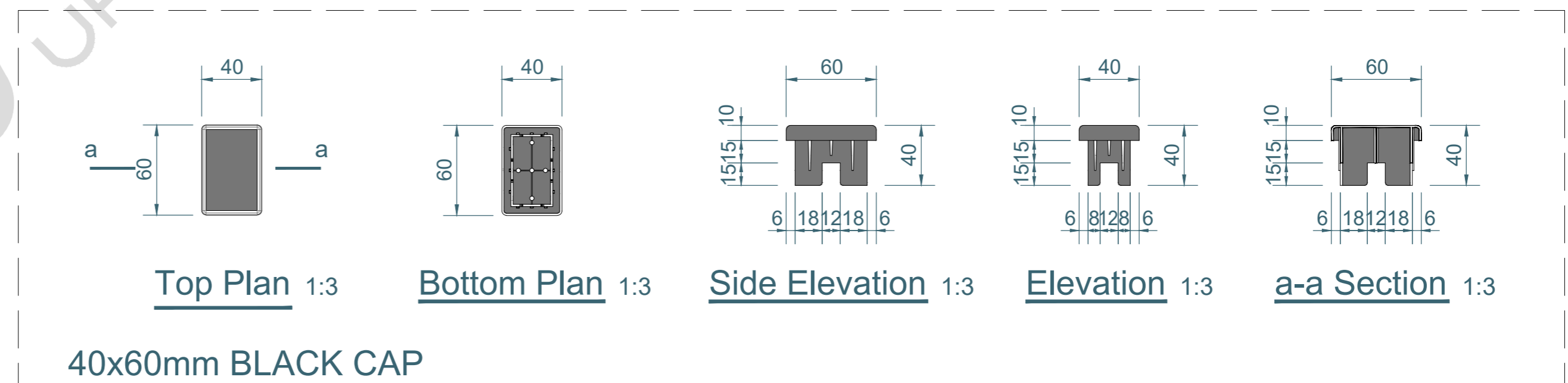
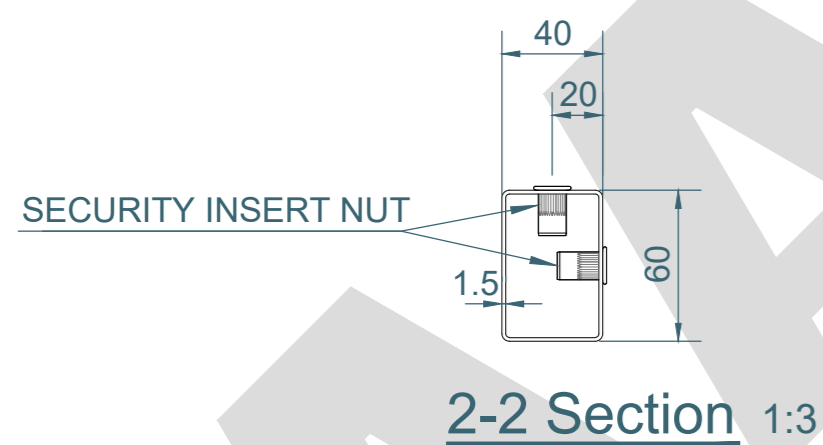
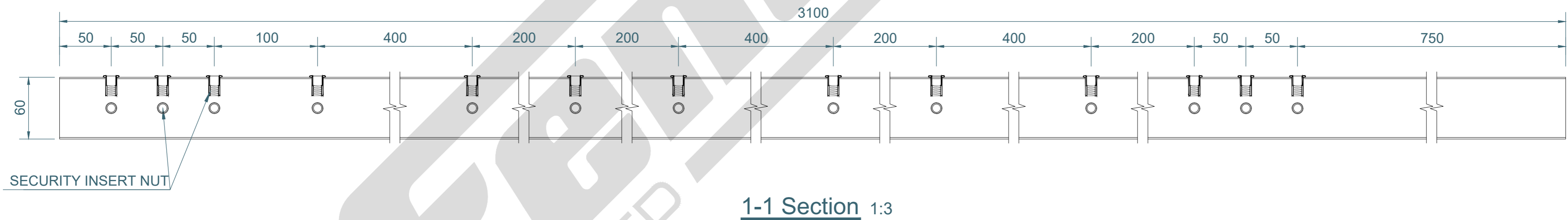
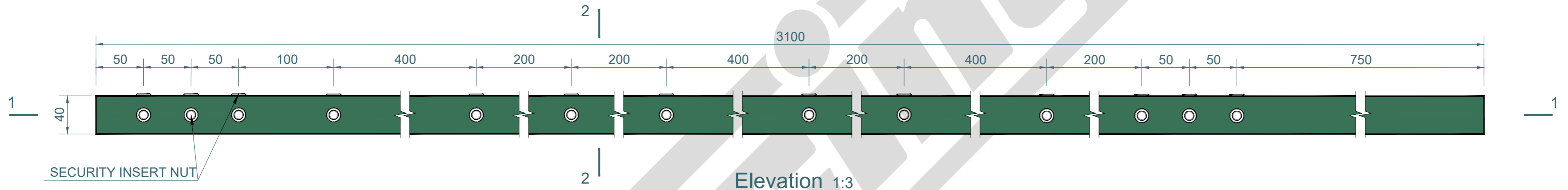
TITLE: 2.4m HIGH 656 TWIN MESH WITH 40x60mm CORNER DIG IN BAY

AA Fencing UK Ltd. The Wireworks Evans
Road, Speke Liverpool L24 9PB
0151 363 1234 info@aafencing.co.uk

SIZE:	RVE:	DRAWN:	DATE:	SCALE:	1:3
A2	1.0	W.CY	15/03/2025		
WEIGHT: PANEL 33kg, POST 7.1kg				SHEET 1 OF 3	

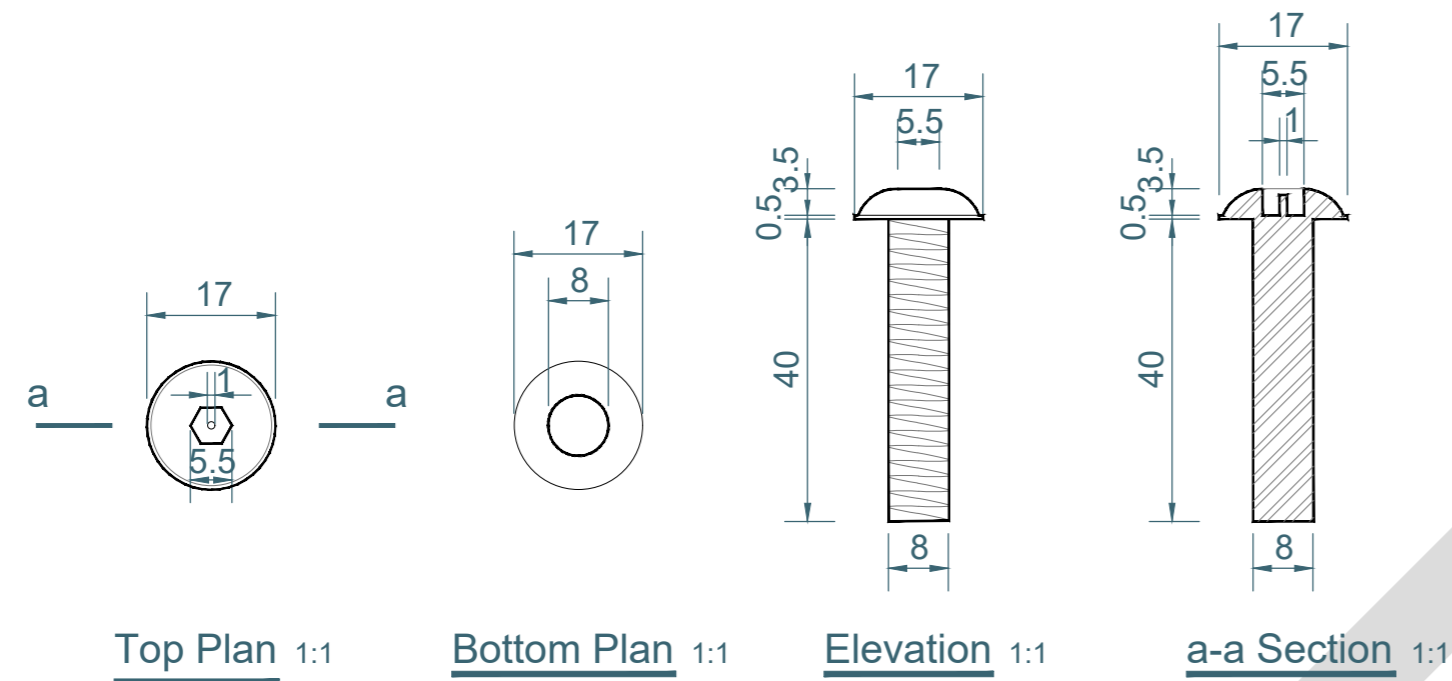


2.4m HIGH 40x60mm CORNER DIG IN POST ONLY(AL3100mm)

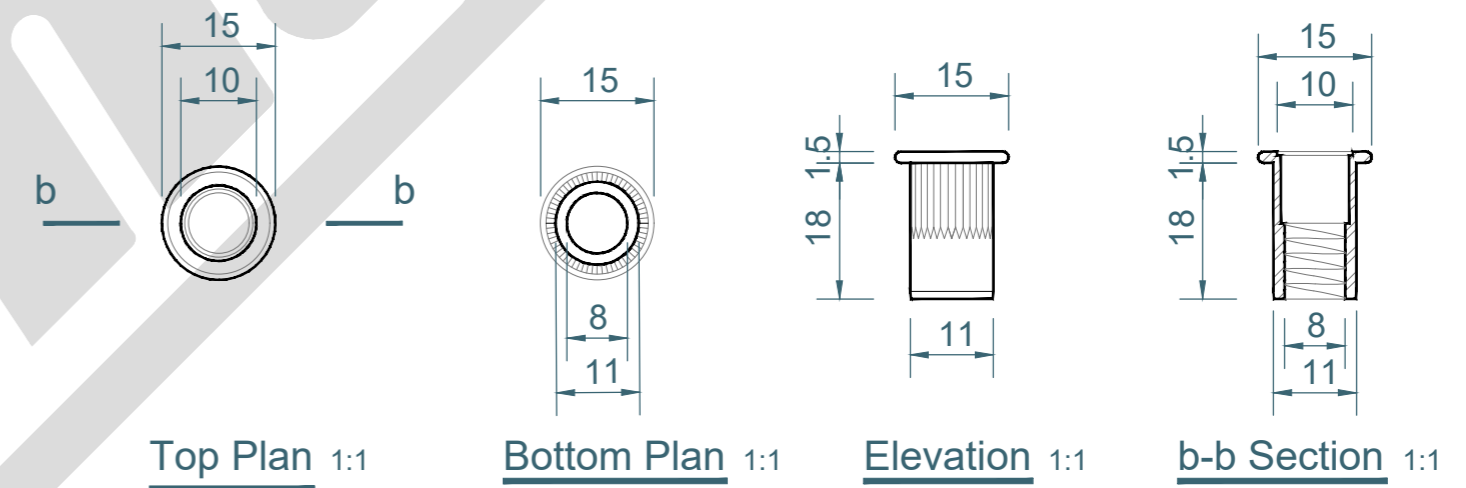


AA Fencing AA Fencing UK Ltd. The Wireworks Evans Road, Speke Liverpool L24 9PB 0151 363 1234 info@aafencing.co.uk	TITLE: 2.4m HIGH 40x60mm CORNER DIG IN POST ONLY(AL3100mm)	SIZE: A2	RVE: 1.0	DRAWN: W.CY	DATE: 15/03/2025	SCALE: 1:3	NOTE: SHOULD ANY DISCREPANCIES BE FOUND WITH THIS DRAWING, PLEASE INFORM AA FENCING. COPYRIGHT OF THIS DRAWING IS OWNED BY AA FENCING UK LIMITED
	WEIGHT: POST 7.1kg				SHEET 2 OF 3		

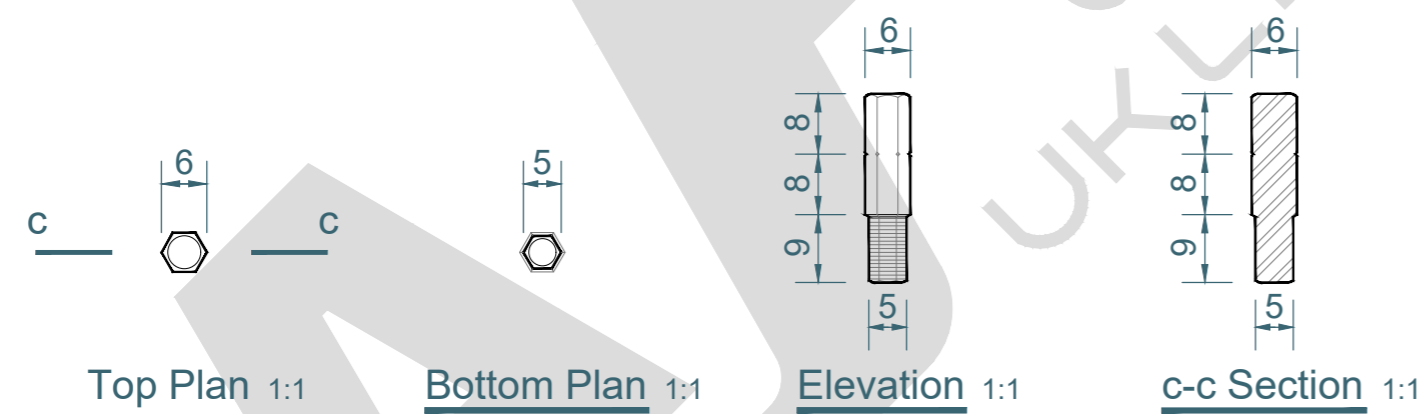
TWIN MESH FITTINGS



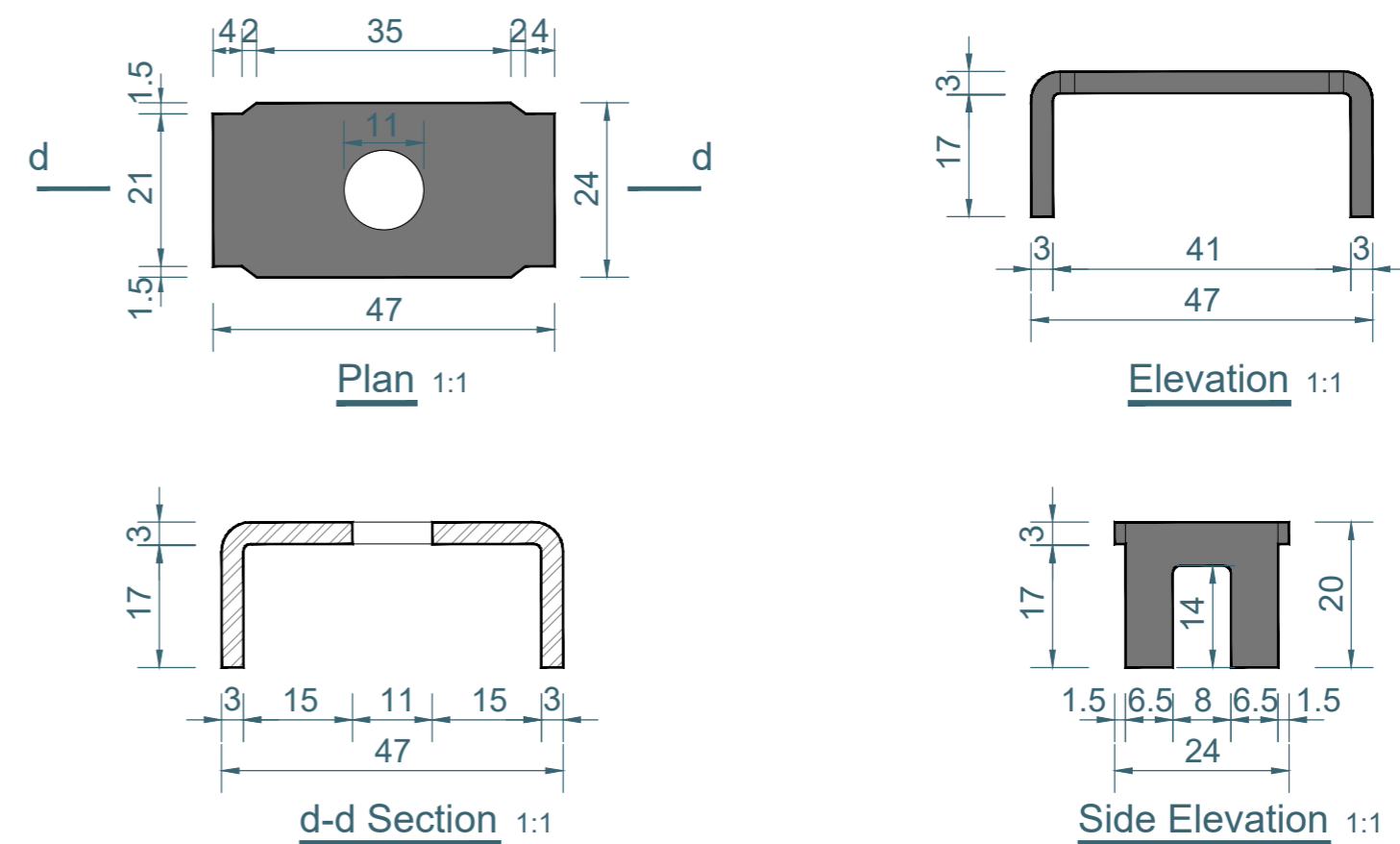
M8x40mm MESH SECURITY INSERT BOLT



SECURITY INSERT NUT



SECURITY KEY



UNIVERSAL FIXING CLIP

TITLE: TWIN MESH FITTINGS

AA Fencing UK Ltd. The Wireworks Evans
Road, Speke Liverpool L24 9PB
0151 363 1234 info@aa fencing.co.uk



SIZE: A2 RVE: 1.0 DRAWN: W.CY DATE: 15/03/2025

WEIGHT: POST 7.1kg

SCALE: 1:1

SHEET 3 OF 3

NOTE:

SHOULD ANY DISCREPANCIES BE FOUND WITH THIS DRAWING, PLEASE INFORM AA FENCING. COPYRIGHT OF THIS DRAWING IS OWNED BY AA FENCING UK LIMITED