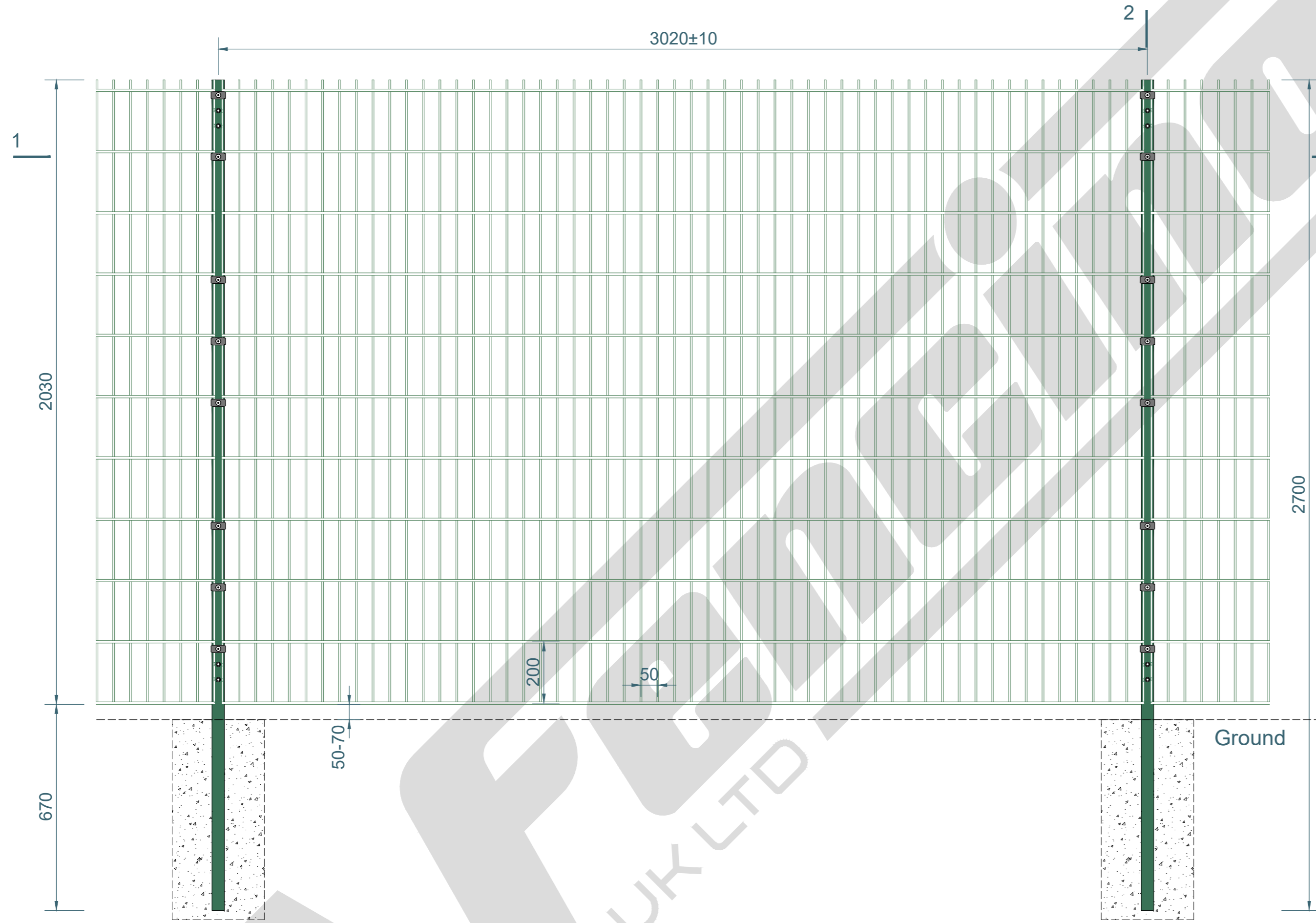
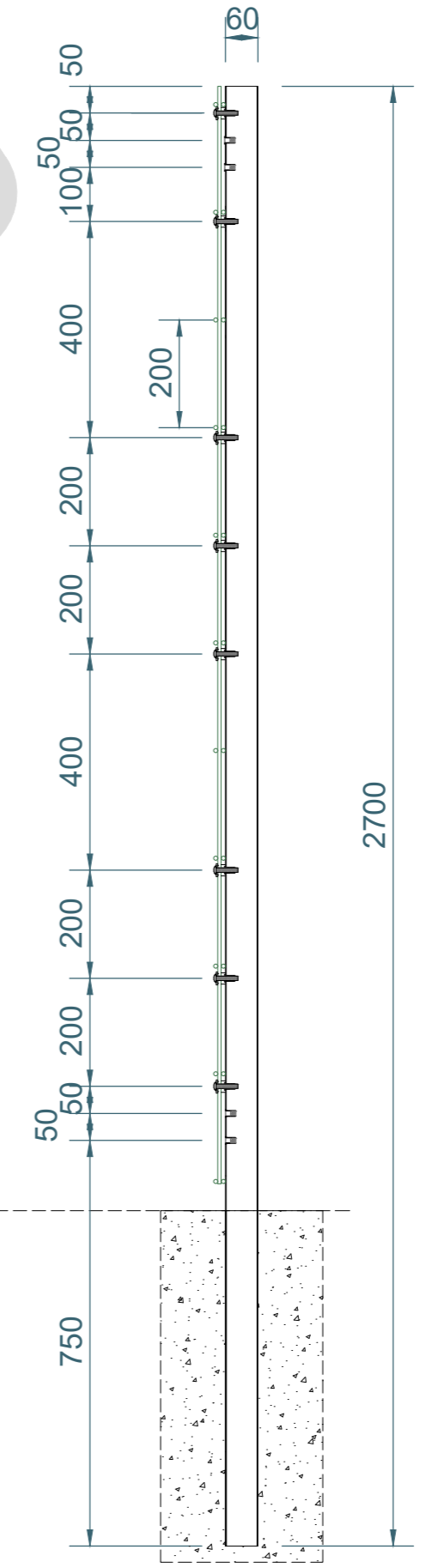


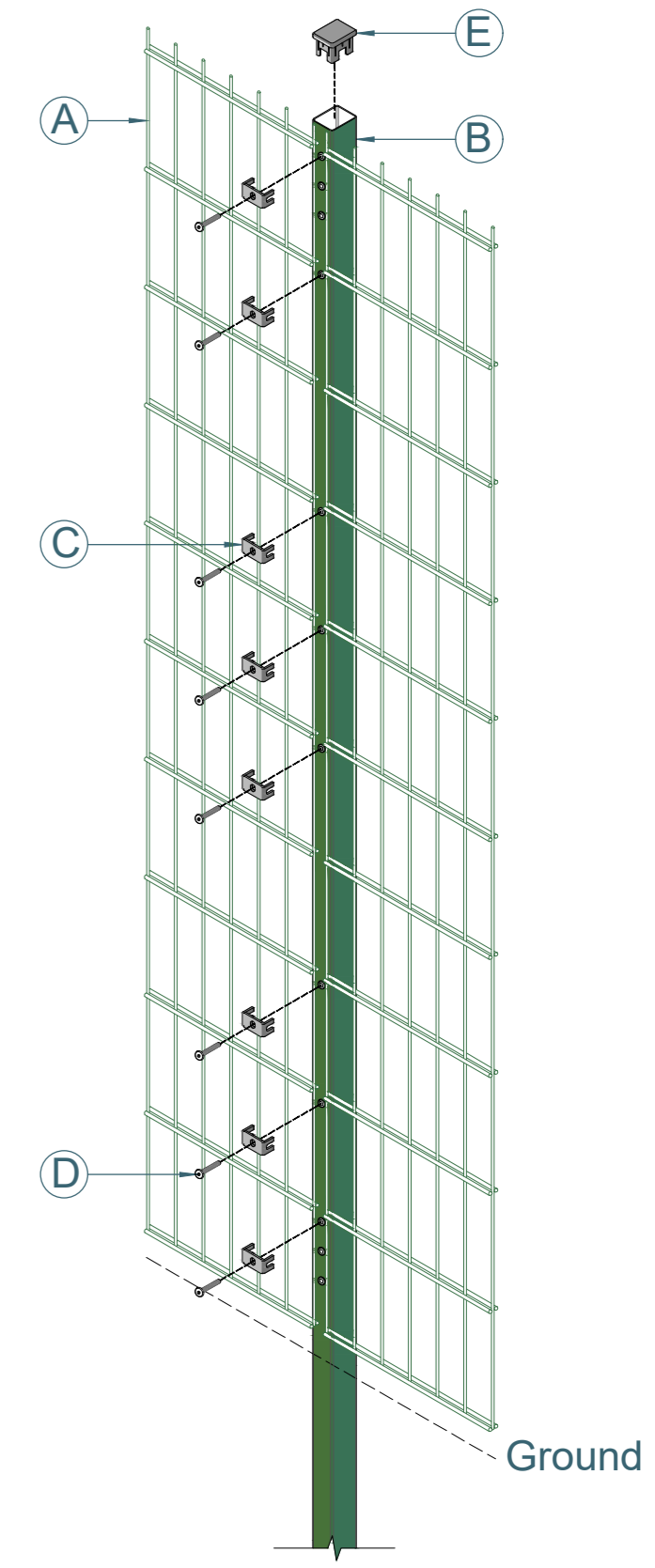
# 2.0m HIGH 868 TWIN MESH WITH 40x60mm DIG IN BAY



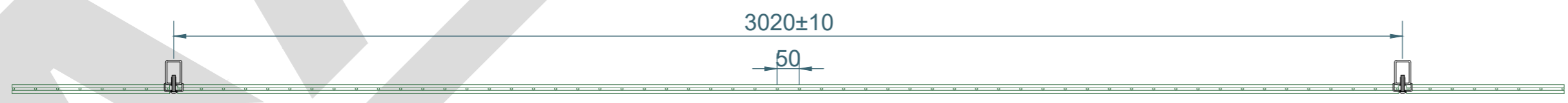
**Elevation** 1:12



**2-2 Section** 1:12



**Axonometric Drawing**



**1-1 Section** 1:12

ITEM	PARTS NAME	QUANTITY
A	MESH – 2.0m 868 TWIN MESH PANEL ONLY	1
B	POST – 2.7m HIGH 40x60mm DIG IN POST ONLY	1
C	UNIVERSAL FIXING CLIP	8
D	M8x40mm MESH SECURITY INSERT BOLT	8
E	40x60mm BLACK CAP	1

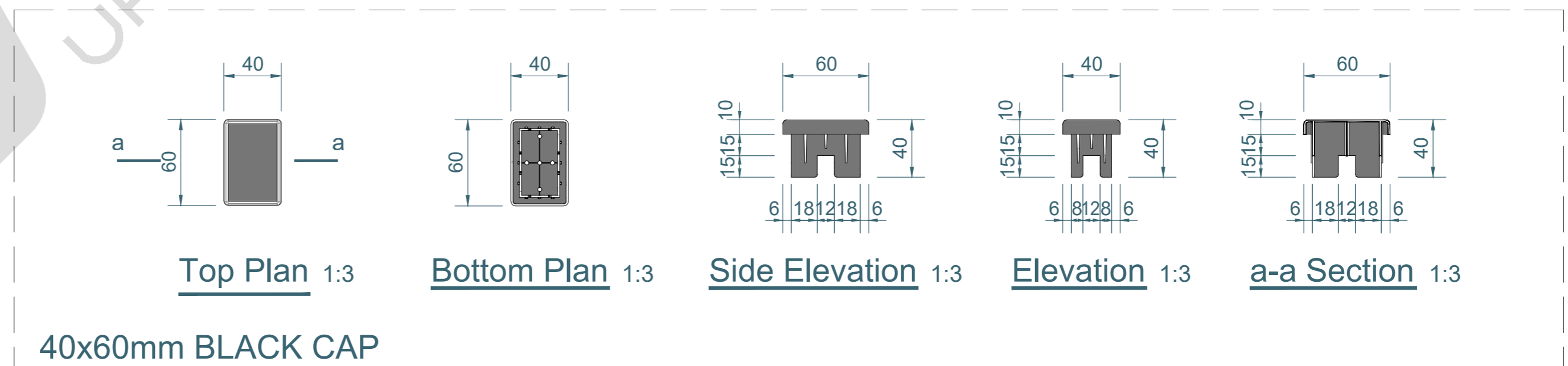
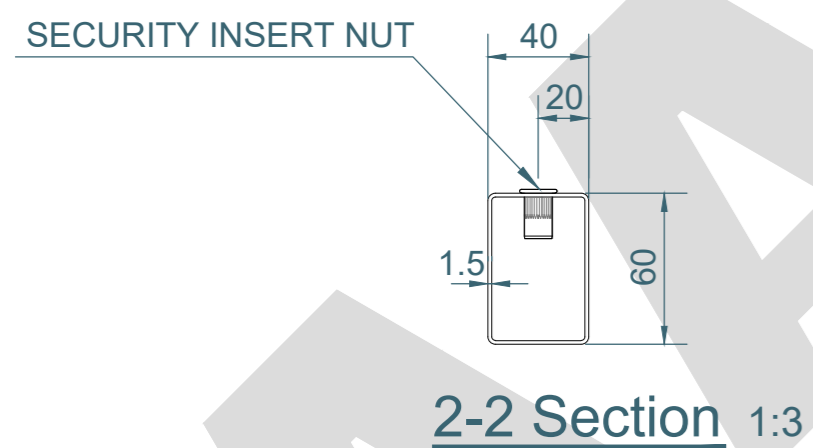
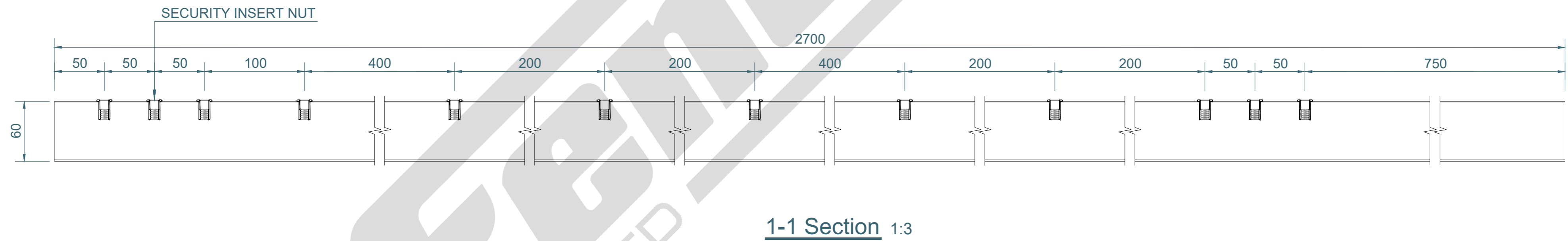
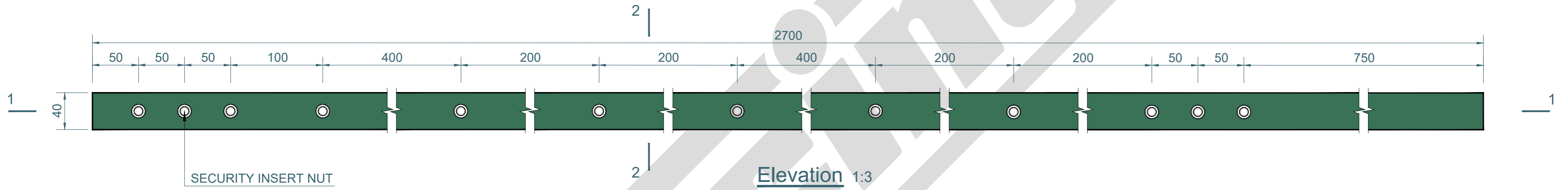
TITLE: 2.0m HIGH 868 TWIN MESH WITH 40x60mm DIG IN BAY  
 AA Fencing UK Ltd. The Wireworks Evans  
 Road, Speke Liverpool L24 9PB  
 0151 363 1234 info@aafencing.co.uk



SIZE: A2 RVE: 1.0 DRAWN: W.CY DATE: 15/03/2025  
 WEIGHT: PANEL 42kg, POST 6.2kg  
 SCALE: 1:12  
 SHEET 1 OF 3

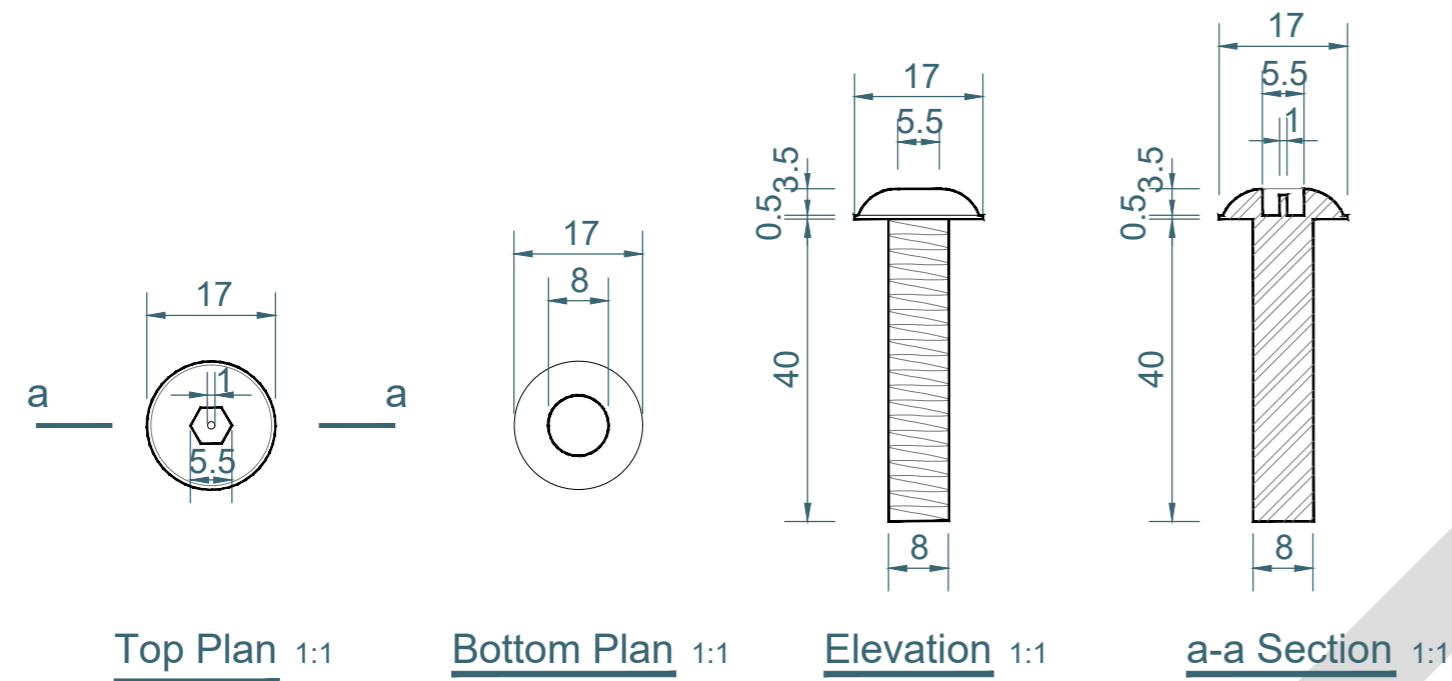
NOTE: SHOULD ANY DISCREPANCIES BE FOUND WITH THIS DRAWING, PLEASE INFORM AA FENCING. COPYRIGHT OF THIS DRAWING IS OWNED BY AA FENCING UK LIMITED

# 2.0m HIGH 40x60mm INTERMEDIATE DIG IN POST ONLY(AL2700mm)

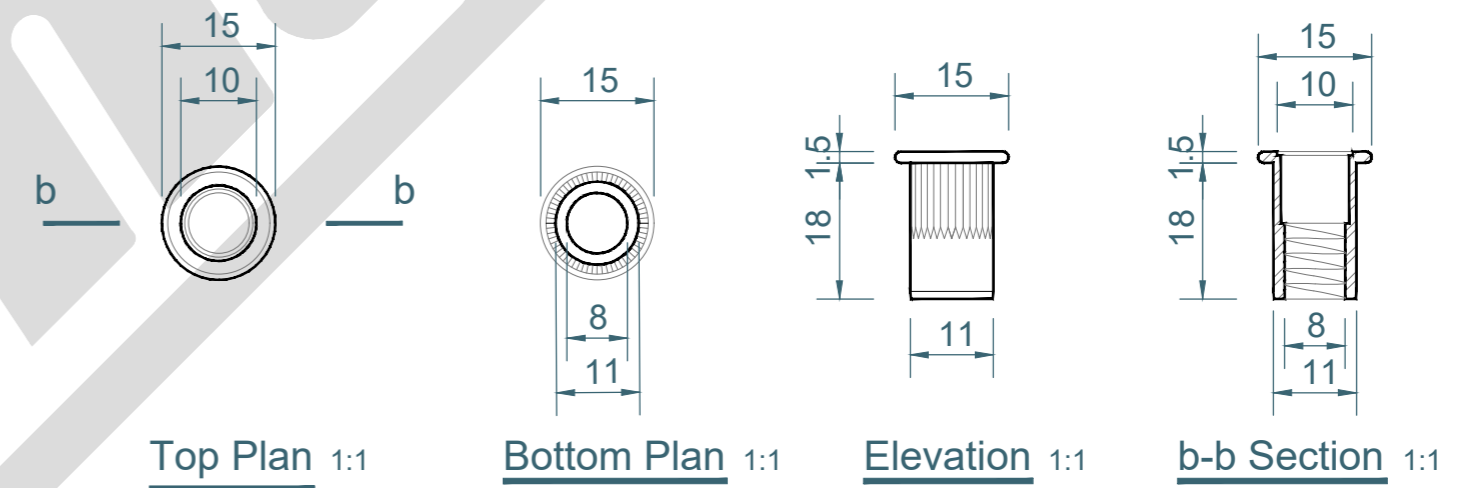


<b>AA Fencing</b> AA Fencing UK Ltd. The Wireworks Evans Road, Speke Liverpool L24 9PB 0151 363 1234 info@aafencing.co.uk	TITLE: 2.0m HIGH 40x60mm INTERMEDIATE DIG IN POST ONLY(AL2700mm)	SIZE: A2	RVE: 1.0	DRAWN: W.CY	DATE: 15/03/2025	SCALE: 1:3	NOTE: SHOULD ANY DISCREPANCIES BE FOUND WITH THIS DRAWING, PLEASE INFORM AA FENCING. COPYRIGHT OF THIS DRAWING IS OWNED BY AA FENCING UK LIMITED
	WEIGHT: POST 6.2kg				SHEET 2 OF 3		

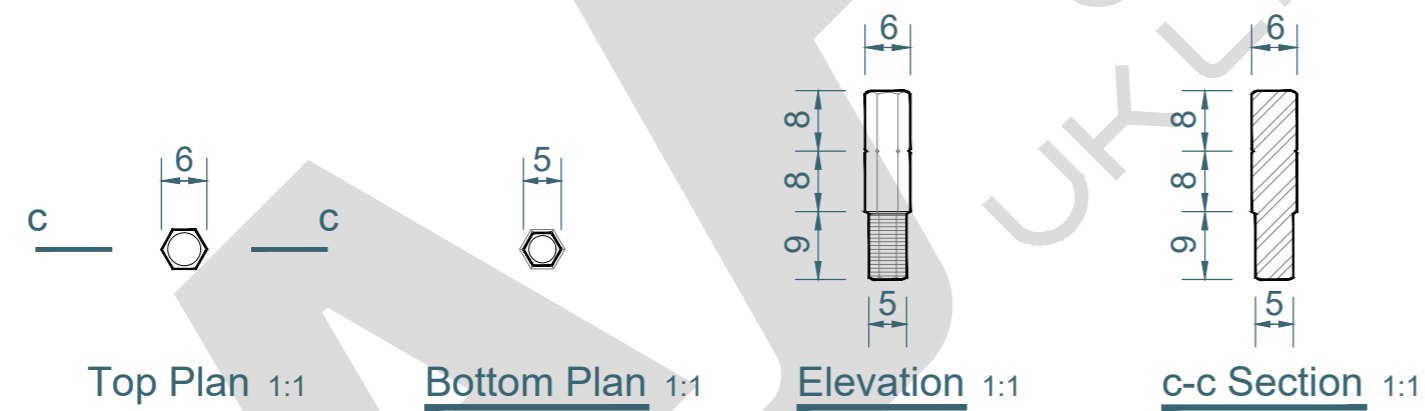
# TWIN MESH FITTINGS



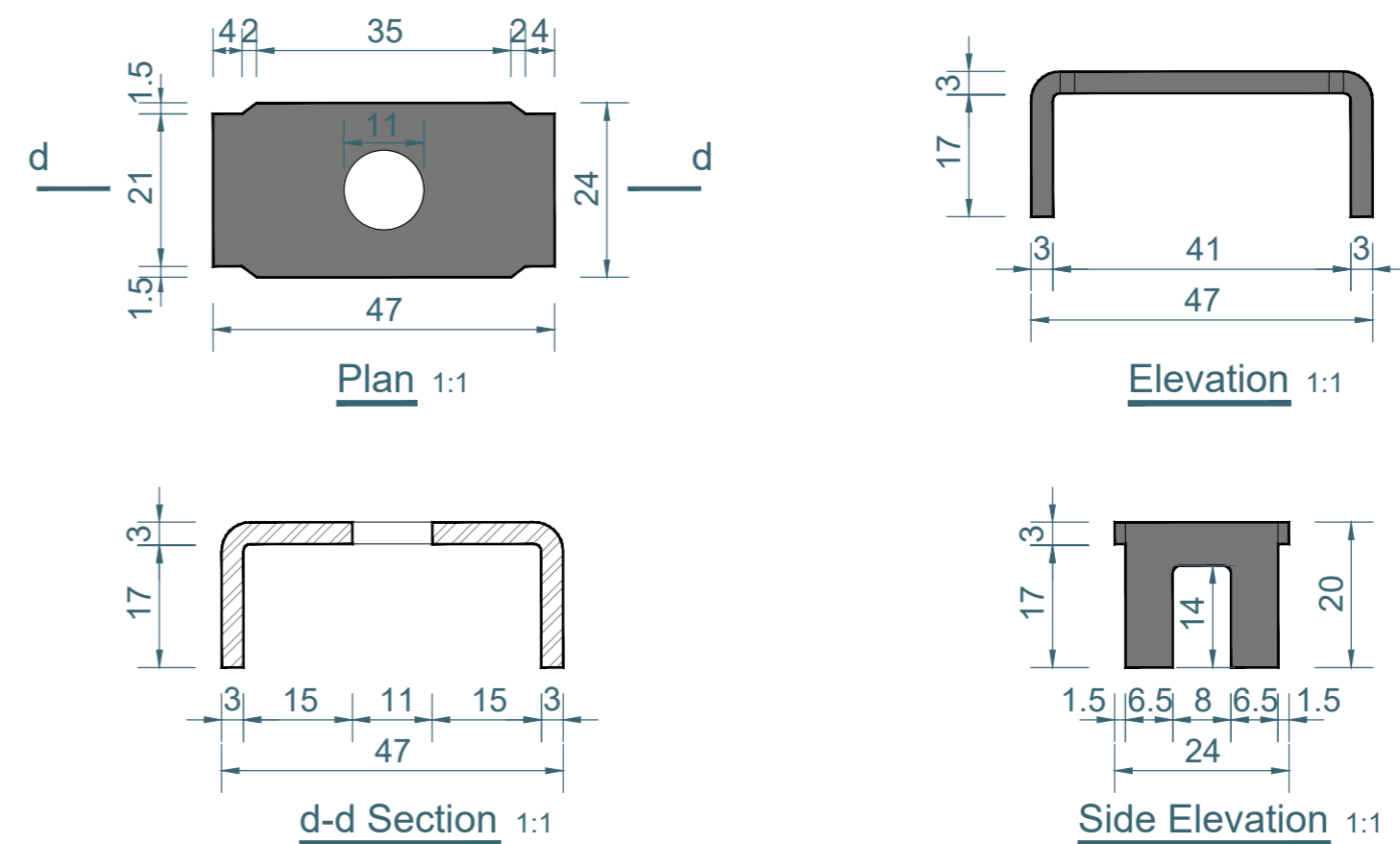
M8x40mm MESH SECURITY INSERT BOLT



SECURITY INSERT NUT



SECURITY KEY



UNIVERSAL FIXING CLIP

TITLE: TWIN MESH FITTINGS

AA Fencing UK Ltd. The Wireworks Evans  
Road, Speke Liverpool L24 9PB  
0151 363 1234 info@aa fencing.co.uk



SIZE: A2 RVE: 1.0 DRAWN: W.CY DATE: 15/03/2025

WEIGHT: POST 6.2kg

SCALE: 1:1

SHEET 3 OF 3

NOTE:

SHOULD ANY DISCREPANCIES BE FOUND WITH THIS DRAWING, PLEASE INFORM AA FENCING. COPYRIGHT OF THIS DRAWING IS OWNED BY AA FENCING UK LIMITED