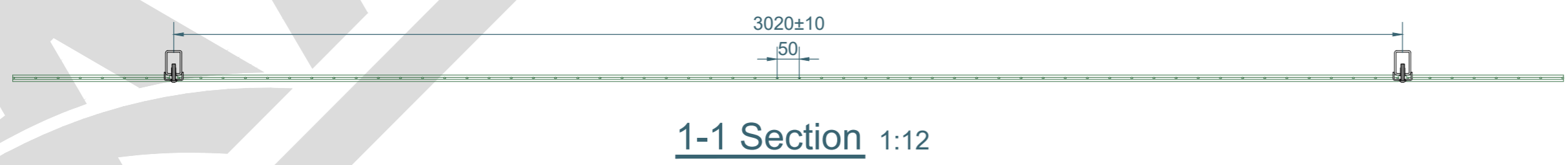
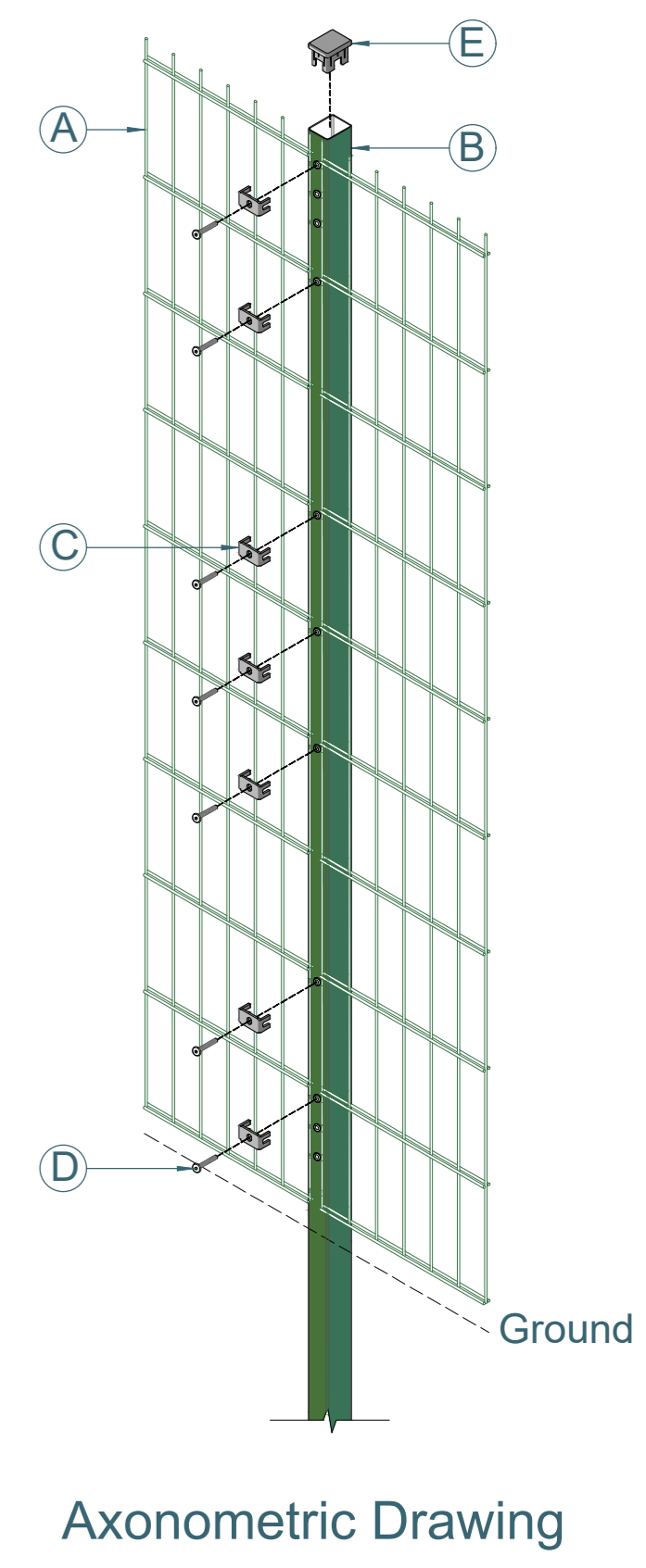
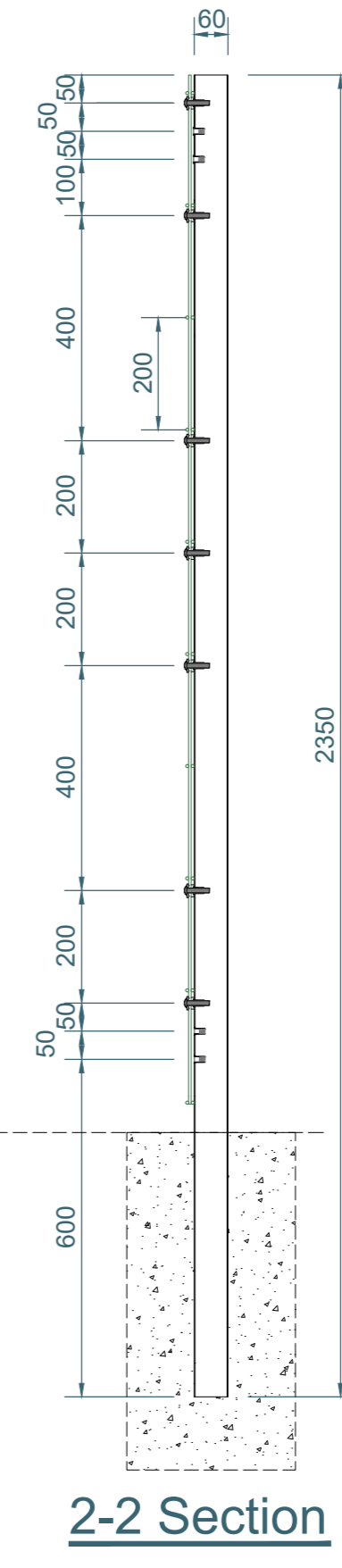
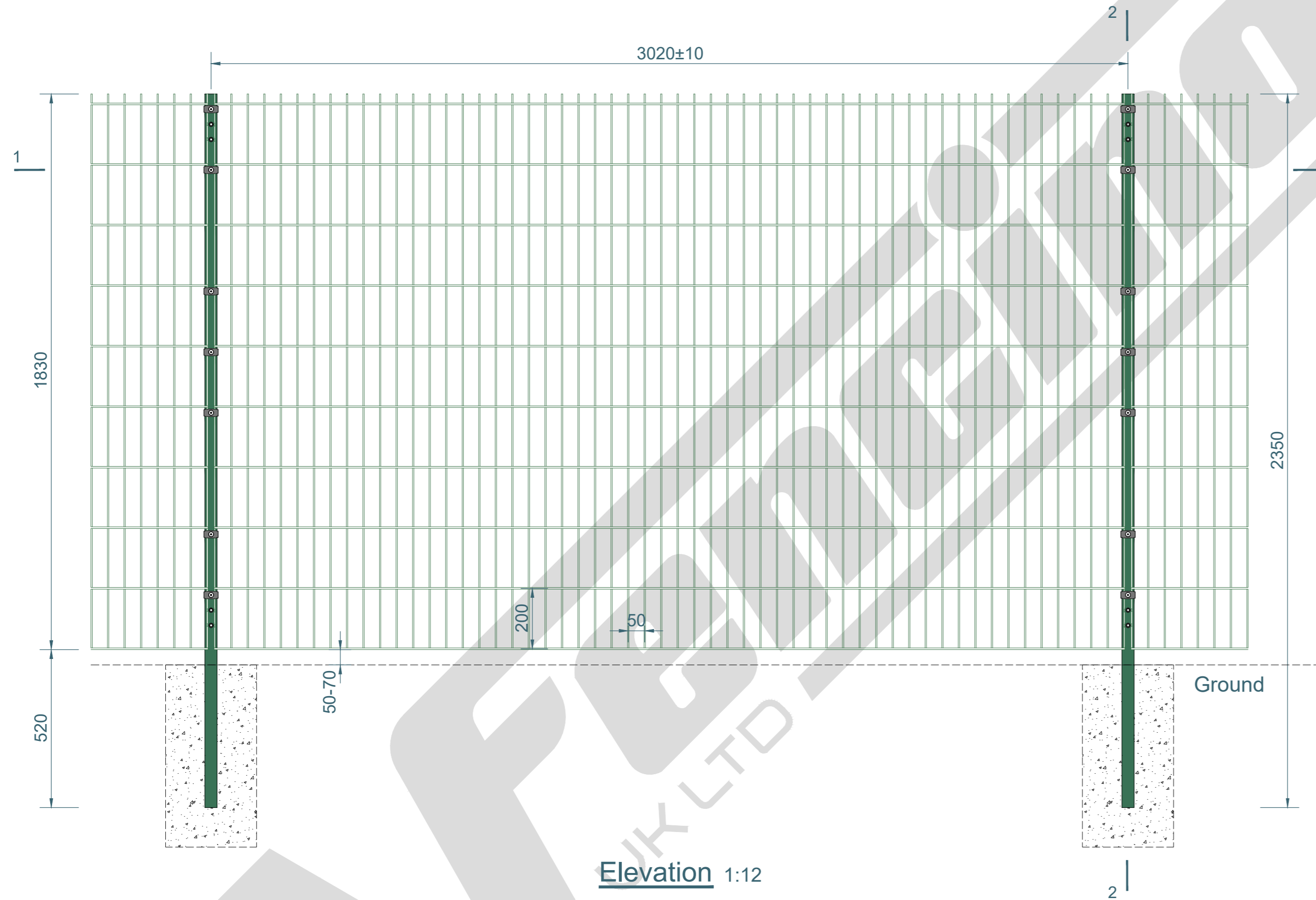


1.8m HIGH 656 TWIN MESH WITH 40x60mm DIG IN BAY



ITEM	PARTS NAME	QUANTITY
A	MESH – 1.8m 656 TWIN MESH PANEL ONLY	1
B	POST – 2.35m HIGH 40x60mm DIG IN POST ONLY	1
C	UNIVERSAL FIXING CLIP	7
D	M8x40mm MESH SECURITY INSERT BOLT	7
E	40x60mm BLACK CAP	1

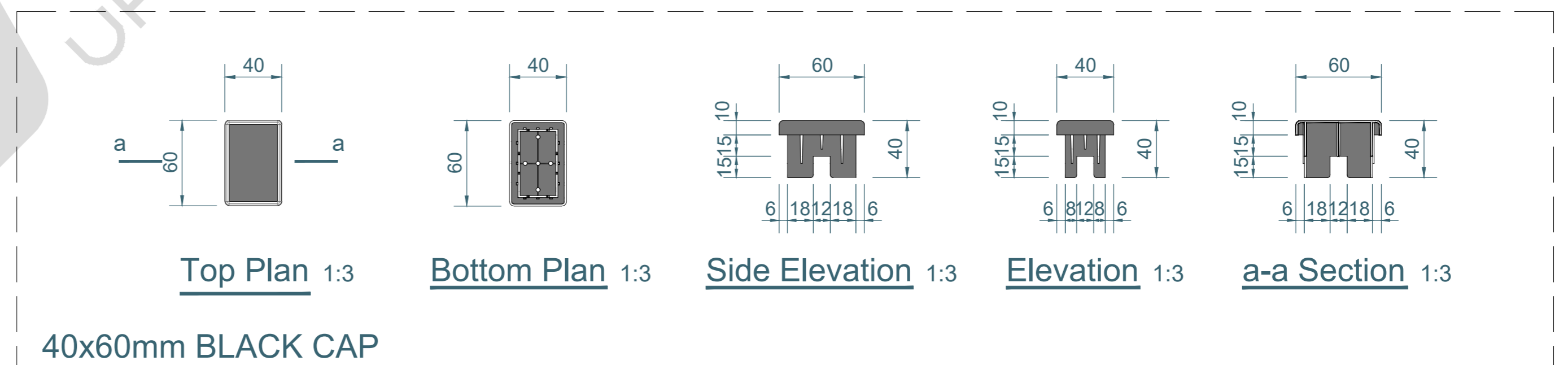
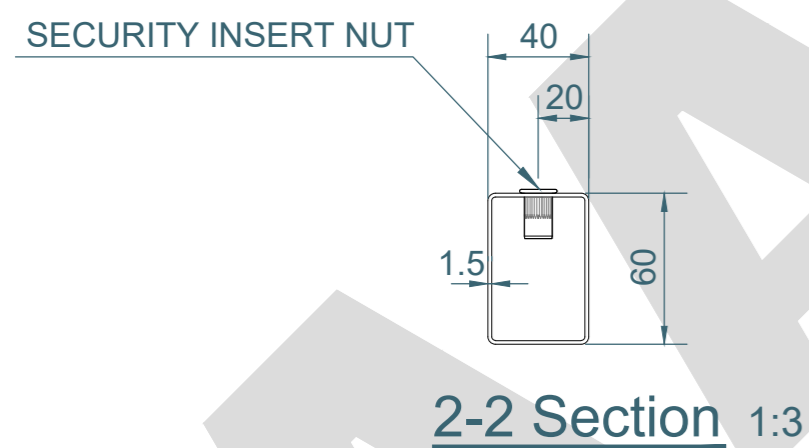
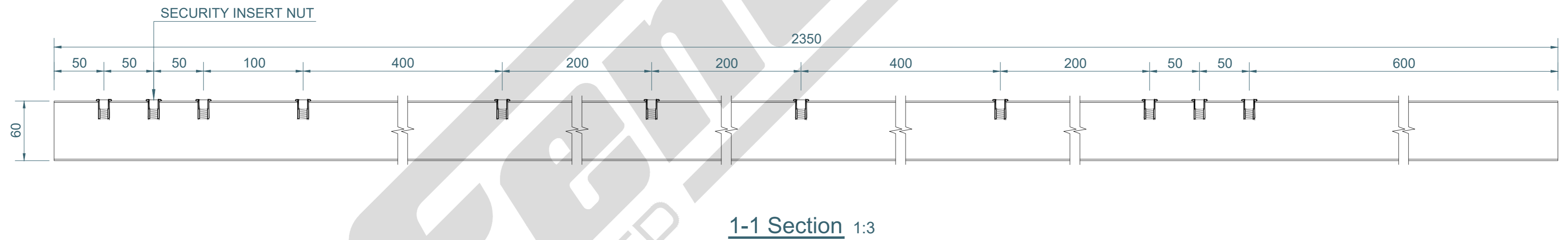
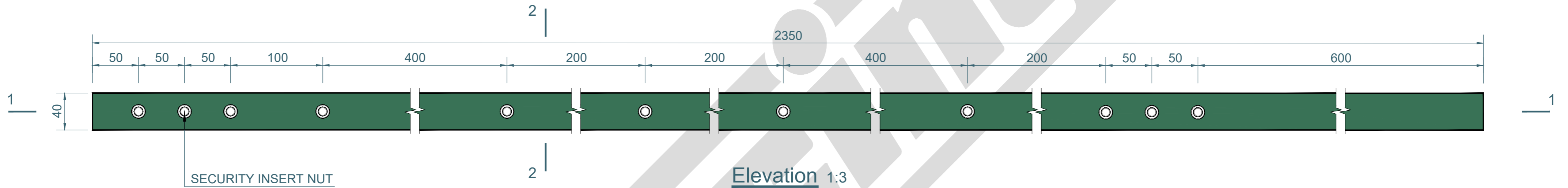
TITLE: 1.8m HIGH 656 TWIN MESH WITH 40x60mm DIG IN BAY
 AA Fencing UK Ltd. The Wireworks Evans
 Road, Speke Liverpool L24 9PB
 0151 363 1234 info@aafencing.co.uk

SIZE: A2 RVE: 1.0 DRAWN: W.CY DATE: 15/03/2025 SCALE: 1:12
 WEIGHT: PANEL 25kg, POST 5.4kg SHEET 1 OF 3

NOTE: SHOULD ANY DISCREPANCIES BE FOUND WITH THIS DRAWING, PLEASE INFORM AA FENCING. COPYRIGHT OF THIS DRAWING IS OWNED BY AA FENCING UK LIMITED



1.8m HIGH 40x60mm INTERMEDIATE DIG IN POST ONLY(AL2350mm)



TITLE: 1.8m HIGH 40x60mm INTERMEDIATE DIG IN POST ONLY(AL2350mm)

AA Fencing UK Ltd. The Wireworks Evans
Road, Speke Liverpool L24 9PB
0151 363 1234 info@aafencing.co.uk

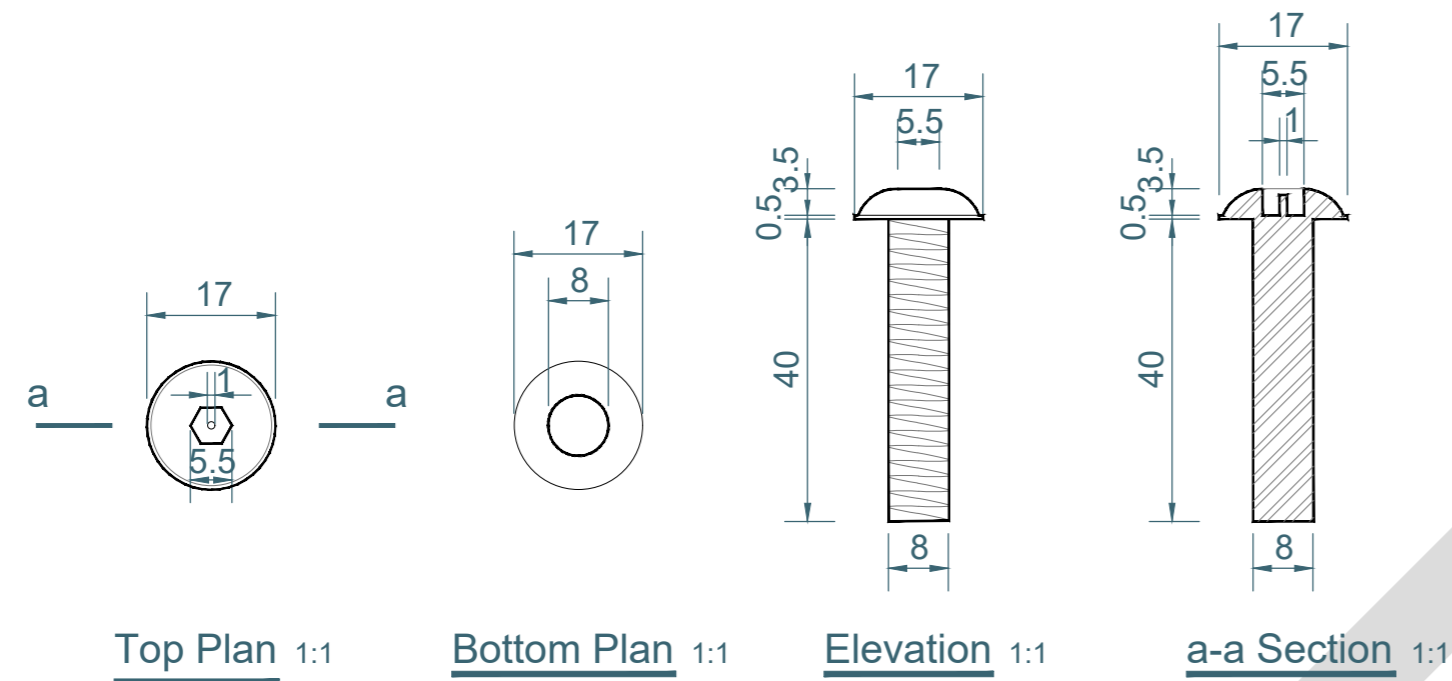
SIZE: A2
RVE: 1.0
DRAWN: W.CY
DATE: 15/03/2025
WEIGHT: POST 5.4kg

SCALE: 1:3
SHEET 2 OF 3

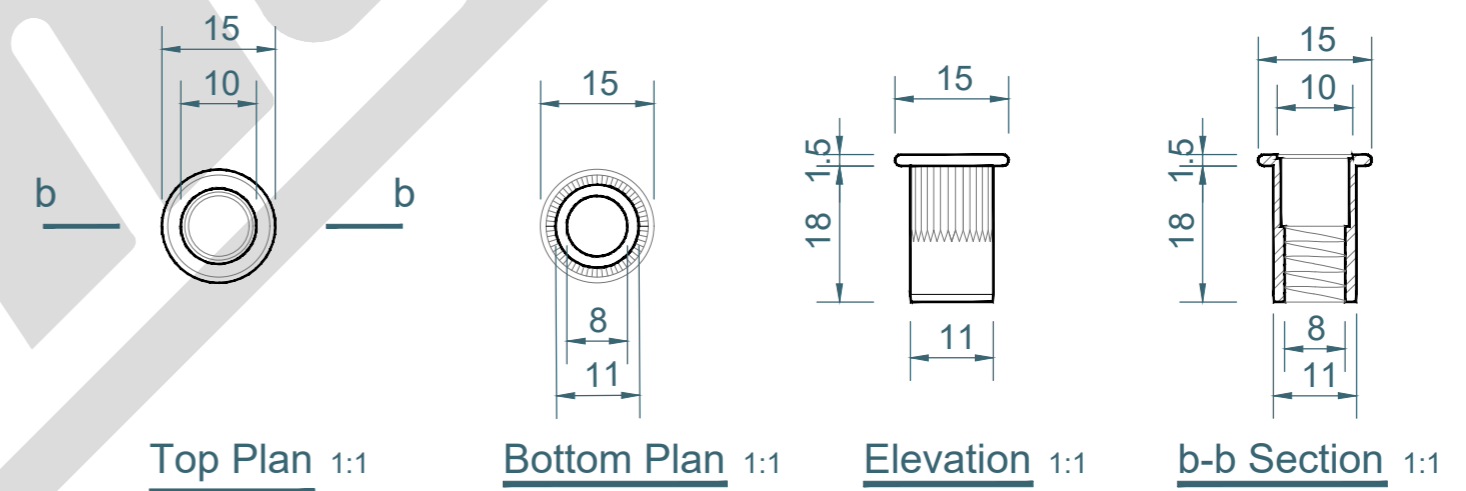
NOTE: SHOULD ANY DISCREPANCIES BE FOUND WITH THIS DRAWING, PLEASE INFORM AA FENCING. COPYRIGHT OF THIS DRAWING IS OWNED BY AA FENCING UK LIMITED



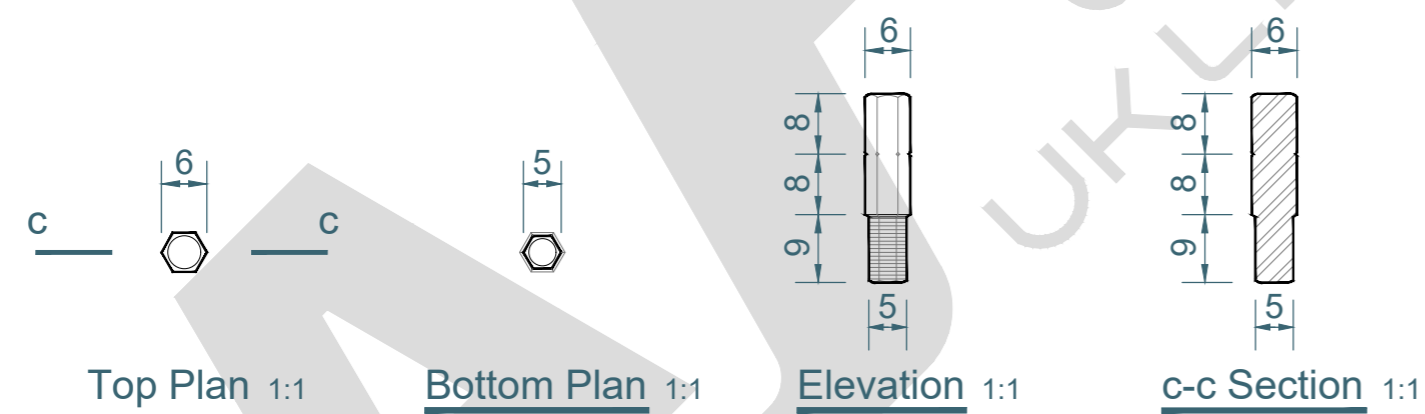
TWIN MESH FITTINGS



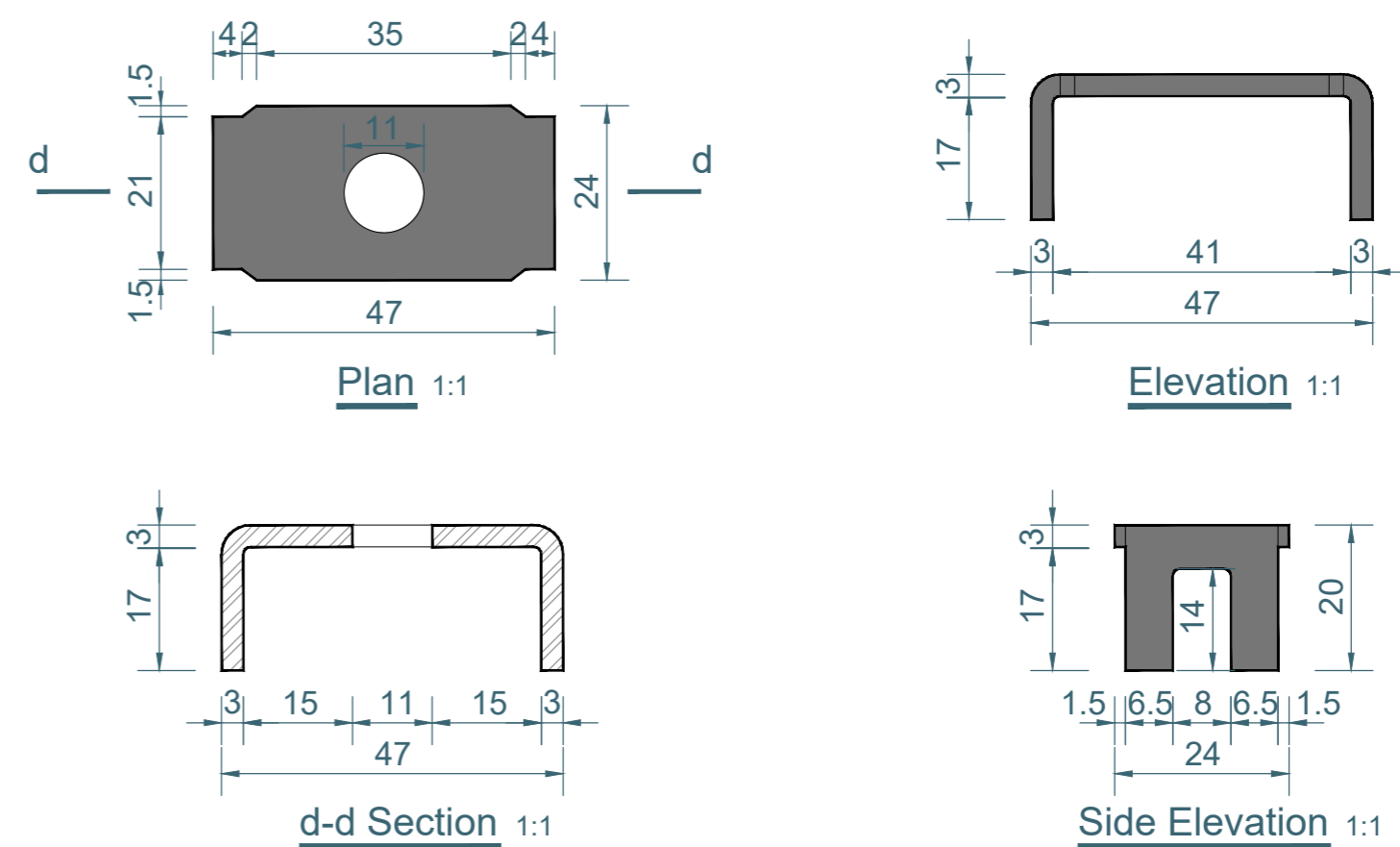
M8x40mm MESH SECURITY INSERT BOLT



SECURITY INSERT NUT



SECURITY KEY



UNIVERSAL FIXING CLIP

TITLE: TWIN MESH FITTINGS

AA Fencing UK Ltd. The Wireworks Evans
Road, Speke Liverpool L24 9PB
0151 363 1234 info@aa fencing.co.uk



SIZE:

A2

RVE:

1.0

DRAWN:

W.CY

DATE:

15/03/2025

SCALE:

1:1

WEIGHT: POST 5.4kg

SHEET 3 OF 3

NOTE:

SHOULD ANY DISCREPANCIES BE FOUND WITH THIS DRAWING, PLEASE INFORM AA FENCING. COPYRIGHT OF THIS DRAWING IS OWNED BY AA FENCING UK LIMITED