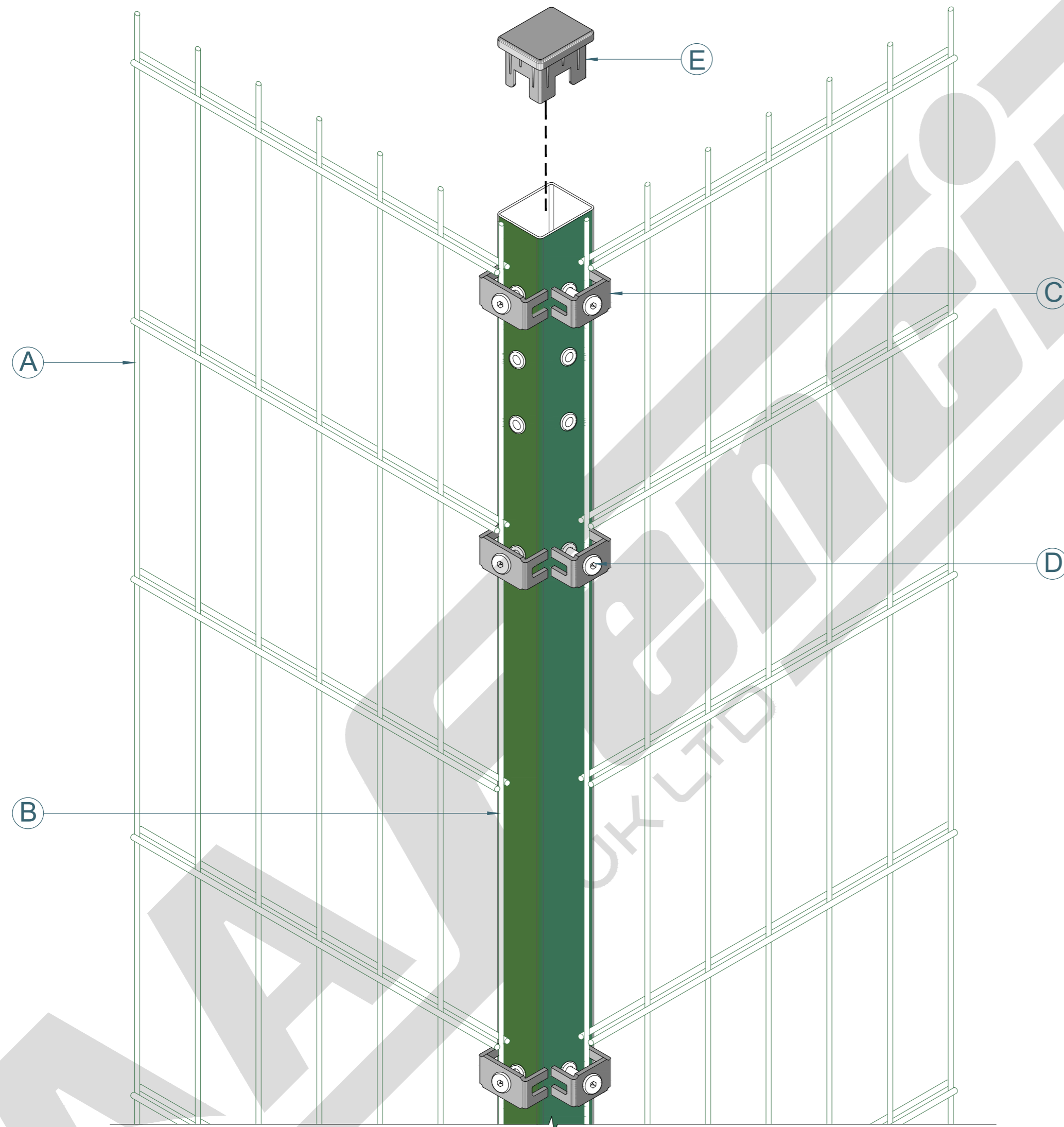
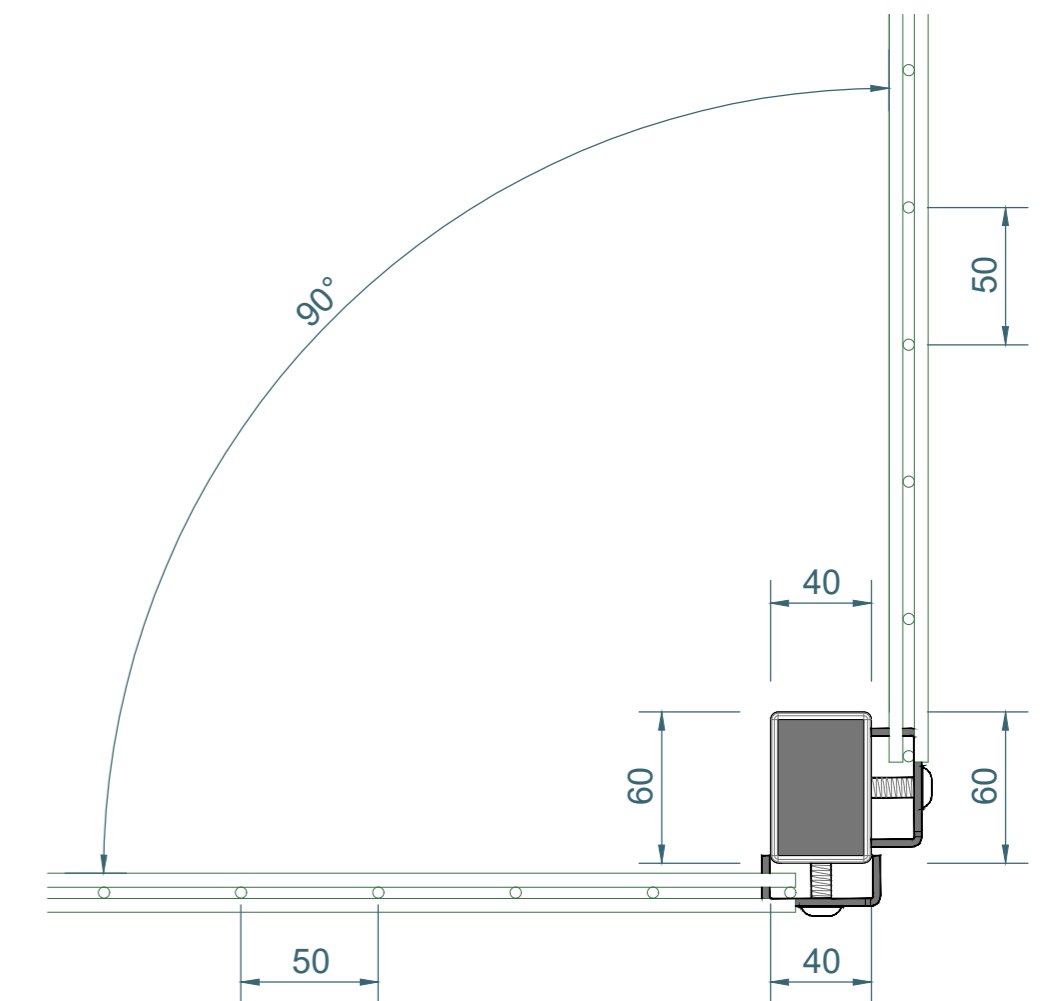


1.8m HIGH 656 TWIN MESH WITH 40x60mm CORNER DIG IN BAY



Axonometric Drawing



Top Plan 1:3

ITEM	PARTS NAME	QUANTITY
A	MESH – 1.8m 656 TWIN MESH PANEL ONLY	1
B	POST – 2.35m HIGH 40x60mm CORNER DIG IN POST ONLY	1
C	UNIVERSAL FIXING CLIP	14
D	M8x40mm MESH SECURITY INSERT BOLT	14
E	40x60mm BLACK CAP	1

NOTE: SHOULD ANY DISCREPANCIES BE FOUND WITH THIS DRAWING, PLEASE INFORM AA FENCING. COPYRIGHT OF THIS DRAWING IS OWNED BY AA FENCING UK LIMITED

TITLE: 1.8m HIGH 656 TWIN MESH WITH 40x60mm CORNER DIG IN BAY

SIZE: A2 RVE: 1.0 DRAWN: W.CY DATE: 15/03/2025 SCALE: 1:3

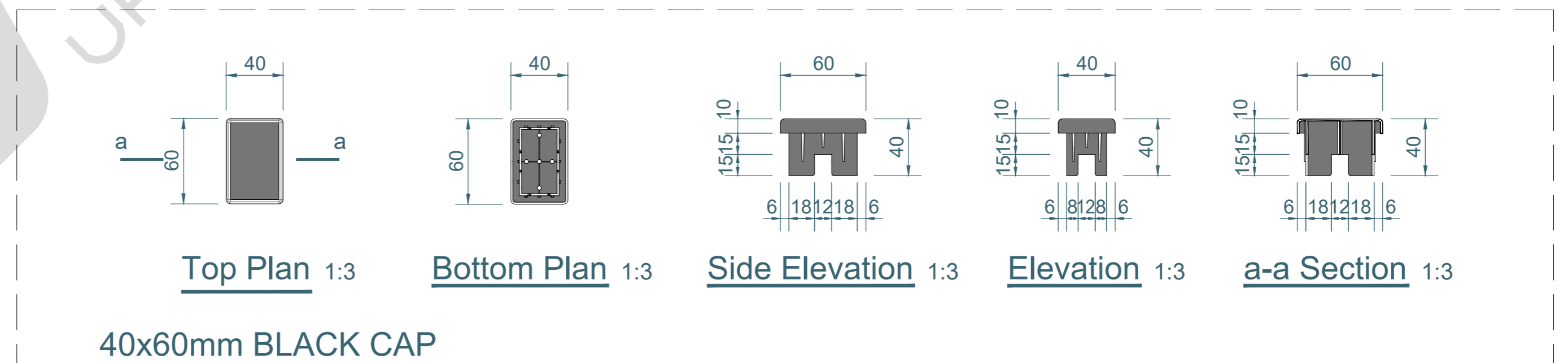
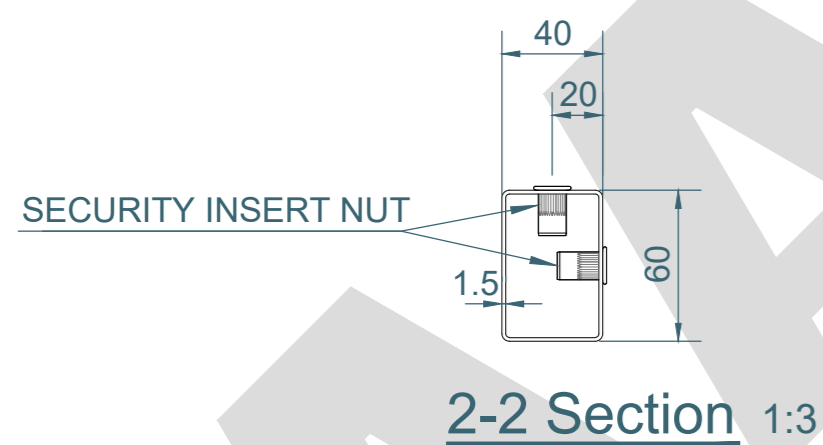
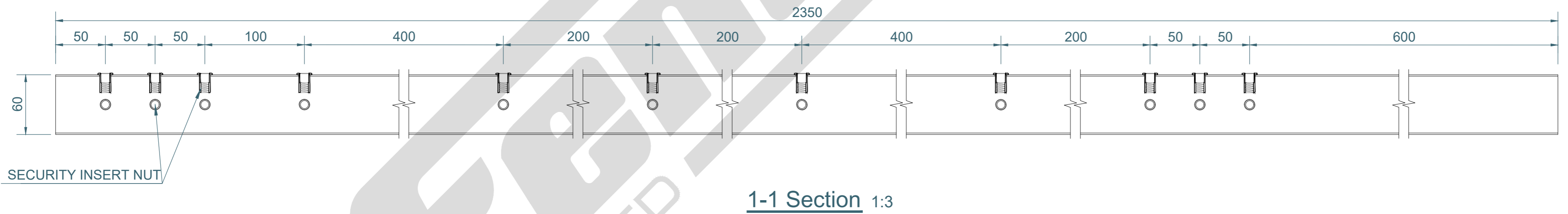
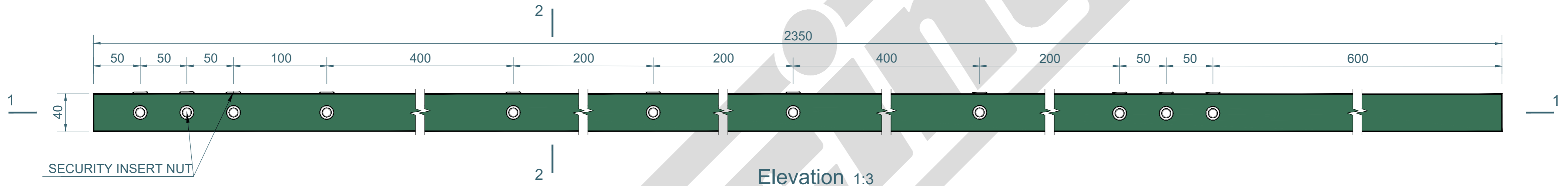
AA Fencing UK Ltd. The Wireworks Evans Road, Speke Liverpool L24 9PB
0151 363 1234 info@aafencing.co.uk

WEIGHT: PANEL 25kg, POST 5.4kg

SHEET 1 OF 3

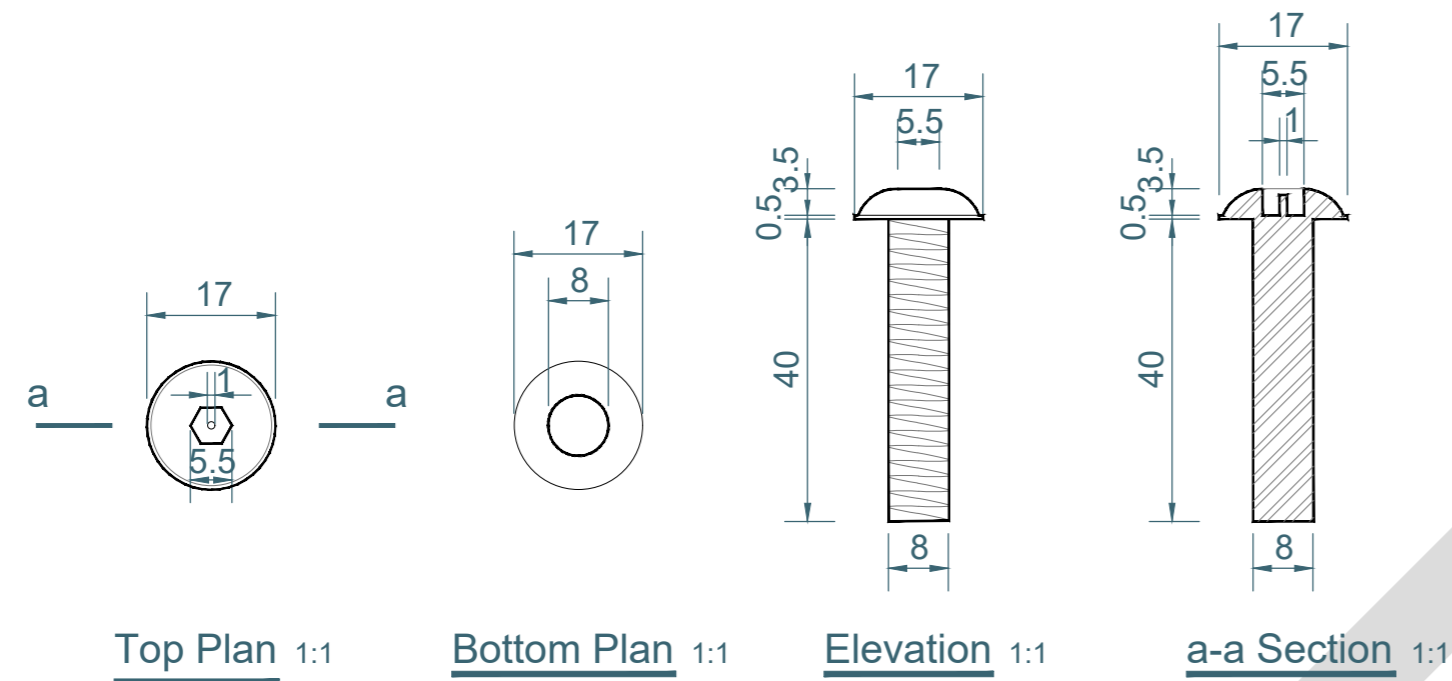


1.8m HIGH 40x60mm CORNER DIG IN POST ONLY(AL2350mm)

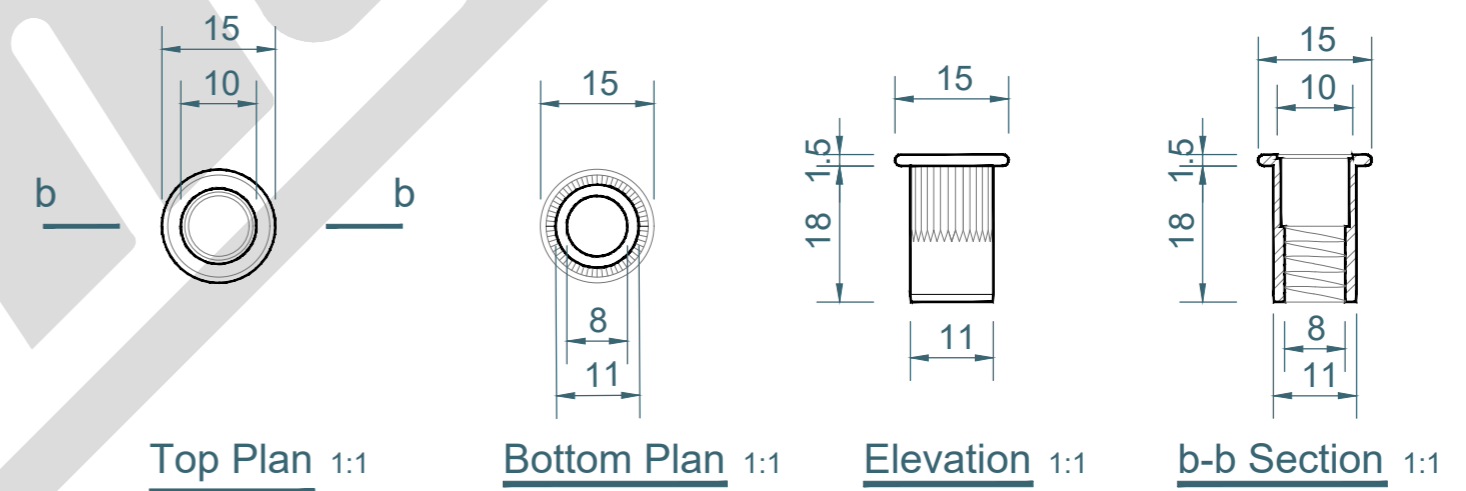


AA Fencing AA Fencing UK Ltd. The Wireworks Evans Road, Speke Liverpool L24 9PB 0151 363 1234 info@aafencing.co.uk	TITLE: 1.8m HIGH 40x60mm CORNER DIG IN POST ONLY(AL2350mm)	SIZE: A2	RVE: 1.0	DRAWN: W.CY	DATE: 15/03/2025	SCALE: 1:3	NOTE: SHOULD ANY DISCREPANCIES BE FOUND WITH THIS DRAWING, PLEASE INFORM AA FENCING. COPYRIGHT OF THIS DRAWING IS OWNED BY AA FENCING UK LIMITED
	WEIGHT: POST 5.4kg				SHEET 2 OF 3		

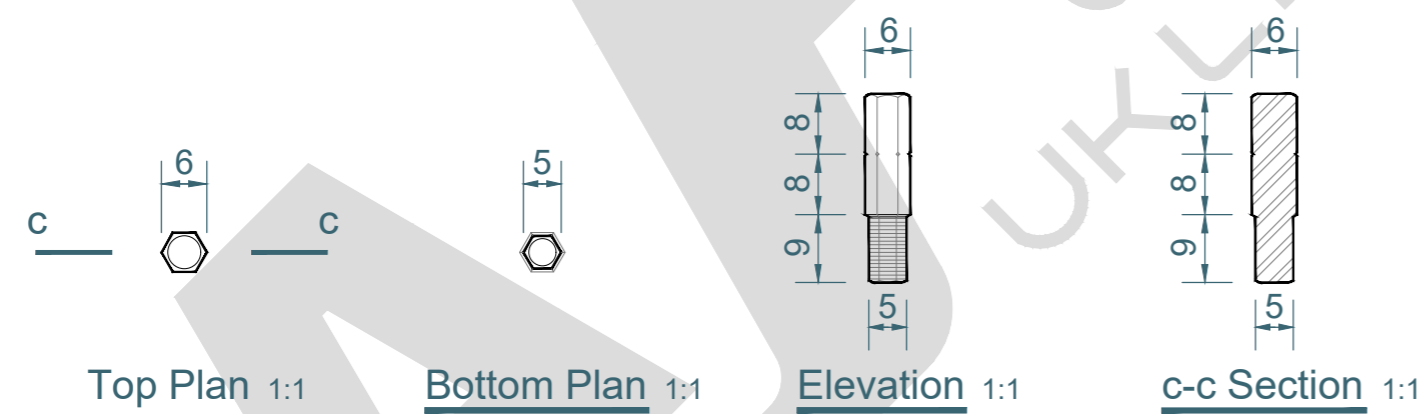
TWIN MESH FITTINGS



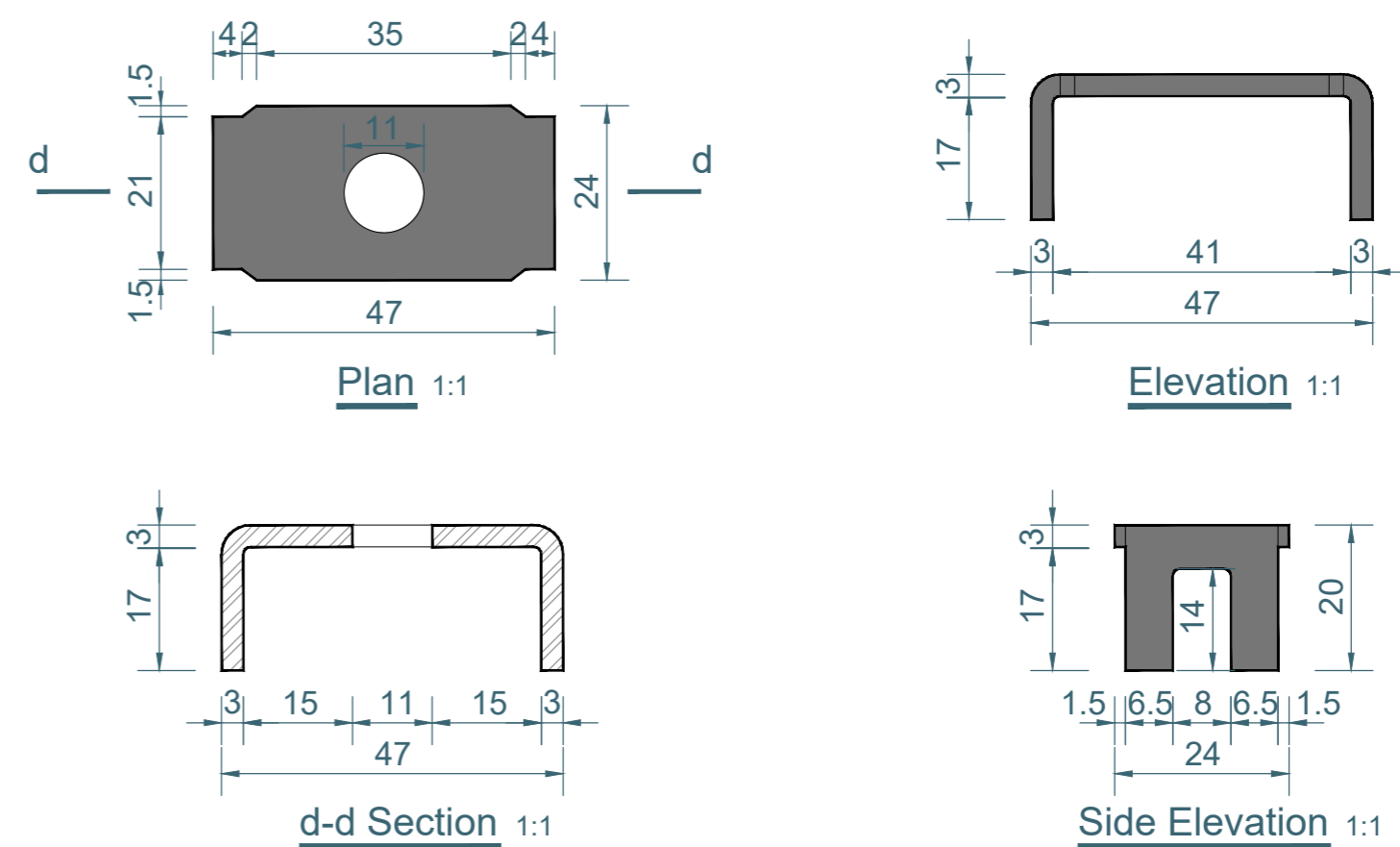
M8x40mm MESH SECURITY INSERT BOLT



SECURITY INSERT NUT



SECURITY KEY



UNIVERSAL FIXING CLIP

TITLE: TWIN MESH FITTINGS

AA Fencing UK Ltd. The Wireworks Evans
Road, Speke Liverpool L24 9PB
0151 363 1234 info@aa fencing.co.uk



SIZE: A2 RVE: 1.0 DRAWN: W.CY DATE: 15/03/2025

WEIGHT: POST 5.4kg

SCALE: 1:1

SHEET 3 OF 3

NOTE:

SHOULD ANY DISCREPANCIES BE FOUND WITH THIS DRAWING, PLEASE INFORM AA FENCING. COPYRIGHT OF THIS DRAWING IS OWNED BY AA FENCING UK LIMITED