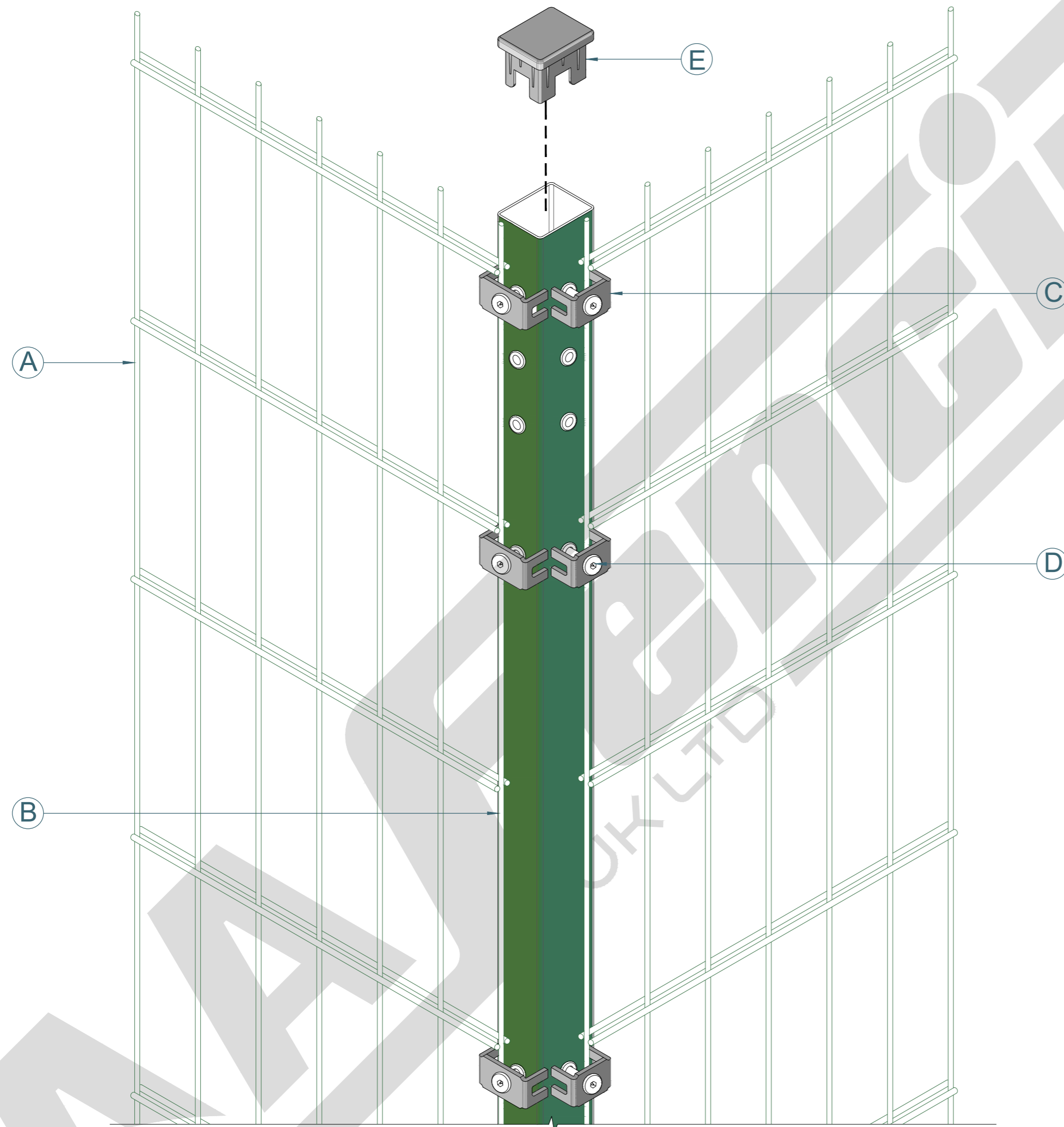
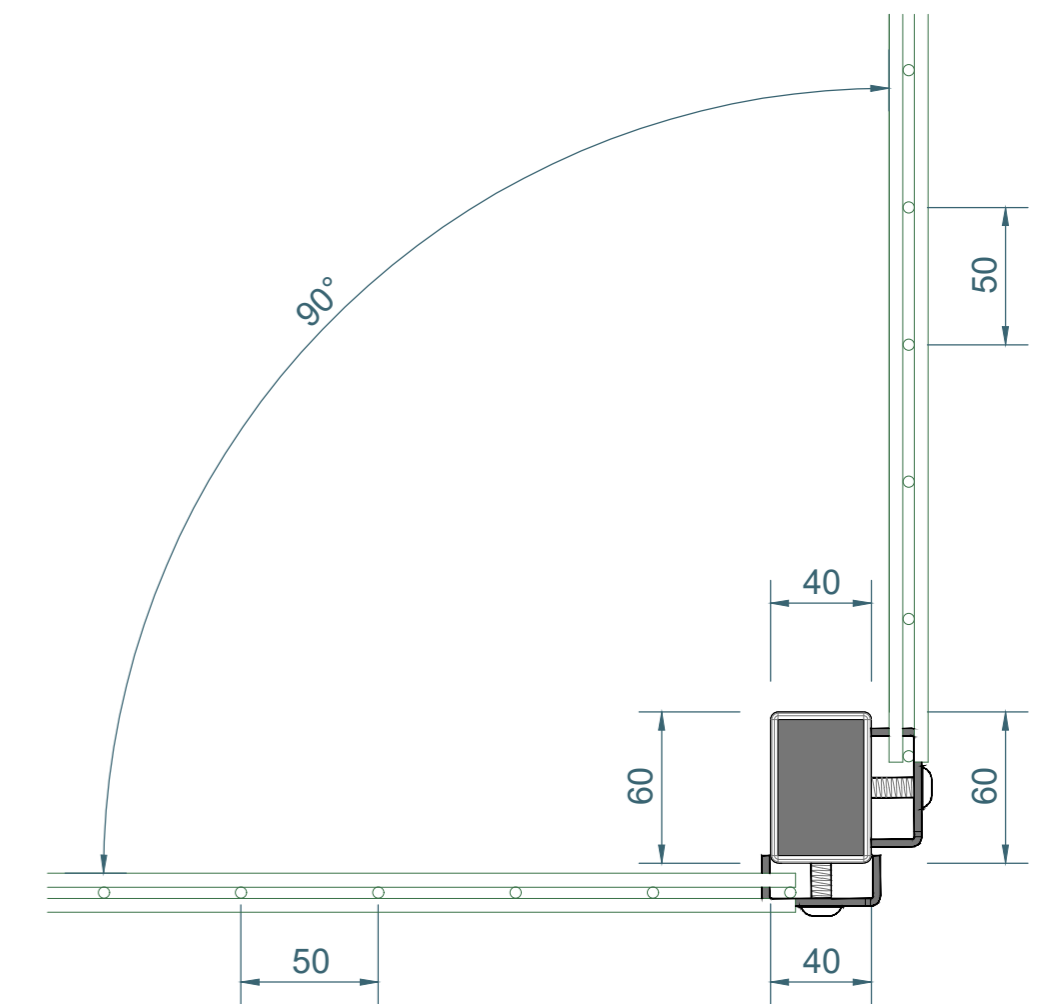


# 1.2m HIGH 656 TWIN MESH WITH 40x60mm CORNER DIG IN BAY



Axonometric Drawing



Top Plan 1:3

ITEM	PARTS NAME	QUANTITY
A	MESH – 1.2m 656 TWIN MESH PANEL ONLY	1
B	POST – 1.8m HIGH 40x60mm CORNER DIG IN POST ONLY	1
C	UNIVERSAL FIXING CLIP	8
D	M8x40mm MESH SECURITY INSERT BOLT	8
E	40x60mm BLACK CAP	1

NOTE: SHOULD ANY DISCREPANCIES BE FOUND WITH THIS DRAWING, PLEASE INFORM AA FENCING. COPYRIGHT OF THIS DRAWING IS OWNED BY AA FENCING UK LIMITED

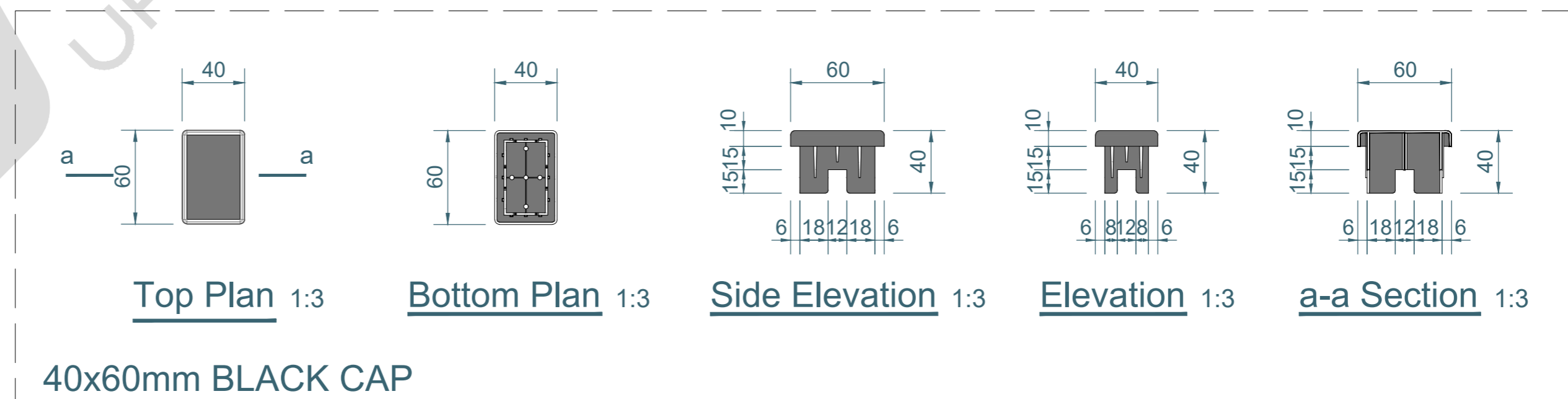
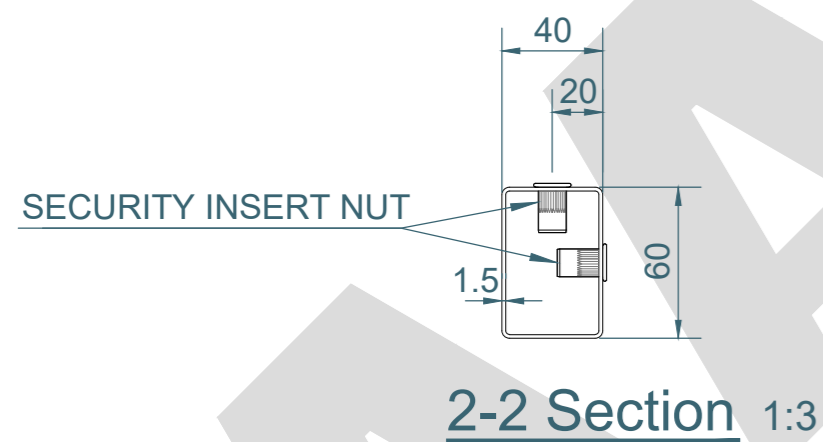
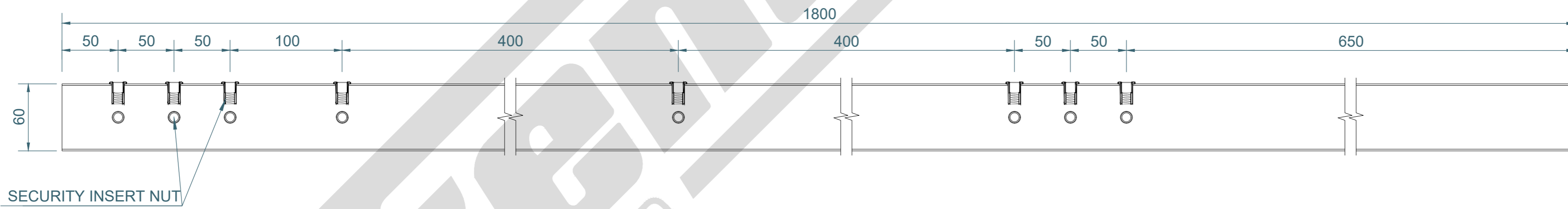
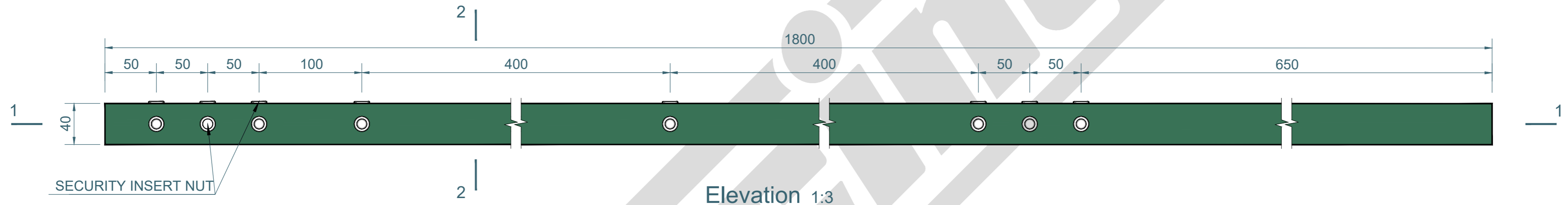
TITLE: 1.2m HIGH 656 TWIN MESH WITH 40x60mm CORNER DIG IN BAY

AA Fencing UK Ltd. The Wireworks Evans  
Road, Speke Liverpool L24 9PB  
0151 363 1234 info@aafencing.co.uk

SIZE:	RVE:	DRAWN:	DATE:	SCALE: 1:3
A2	1.0	W.CY	15/03/2025	
WEIGHT: PANEL 16.5kg, POST 4.1kg			SHEET 1 OF 3	

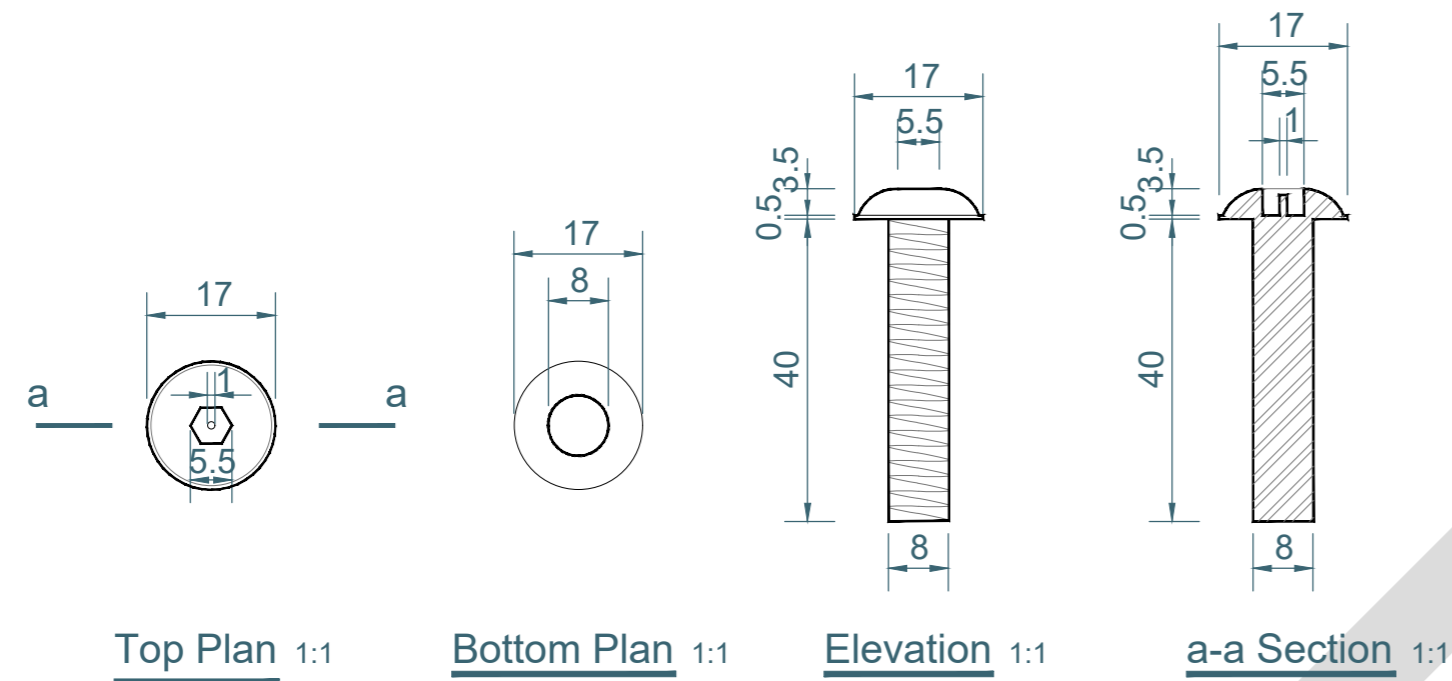


# 1.2m HIGH 40x60mm CORNER DIG IN POST ONLY(AL1800mm)

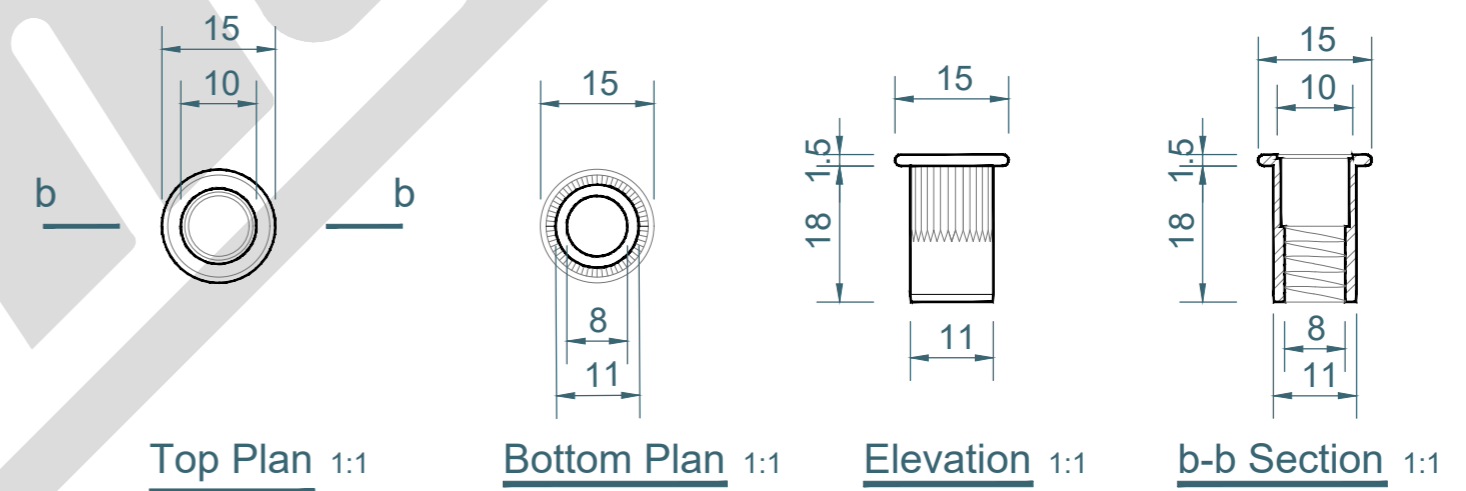


<b>AA Fencing</b> AA Fencing UK Ltd. The Wireworks Evans Road, Speke Liverpool L24 9PB 0151 363 1234 info@aafencing.co.uk	<b>TITLE:</b> 1.2m HIGH 40x60mm CORNER DIG IN POST ONLY(AL1800mm)	<b>SIZE:</b> A2	<b>RVE:</b> 1.0	<b>DRAWN:</b> W.CY	<b>DATE:</b> 15/03/2025	<b>SCALE:</b> 1:3	<b>NOTE:</b> SHOULD ANY DISCREPANCIES BE FOUND WITH THIS DRAWING, PLEASE INFORM AA FENCING. COPYRIGHT OF THIS DRAWING IS OWNED BY AA FENCING UK LIMITED
	<b>WEIGHT:</b> POST 4.1kg				<b>SHEET 2 OF 3</b>		

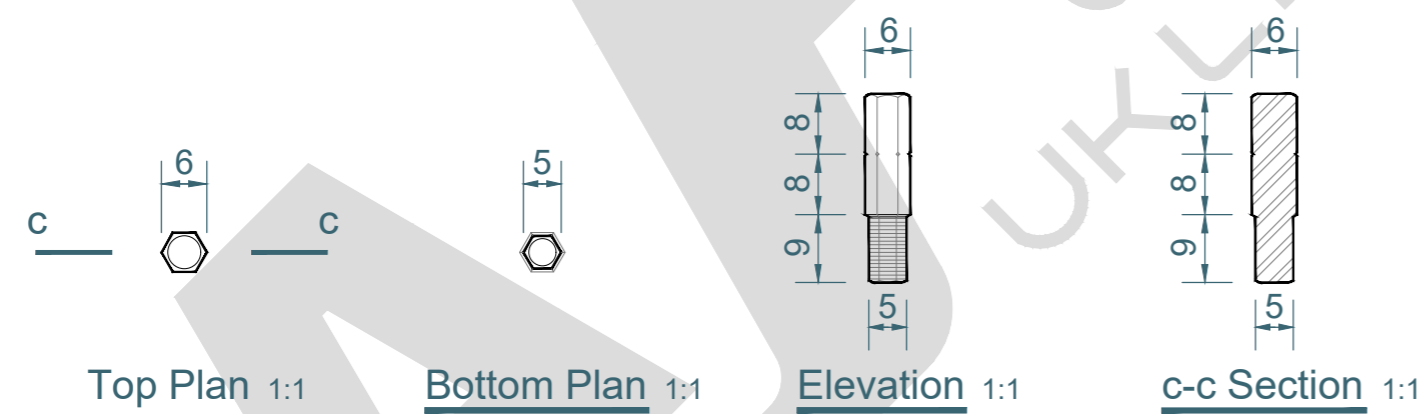
# TWIN MESH FITTINGS



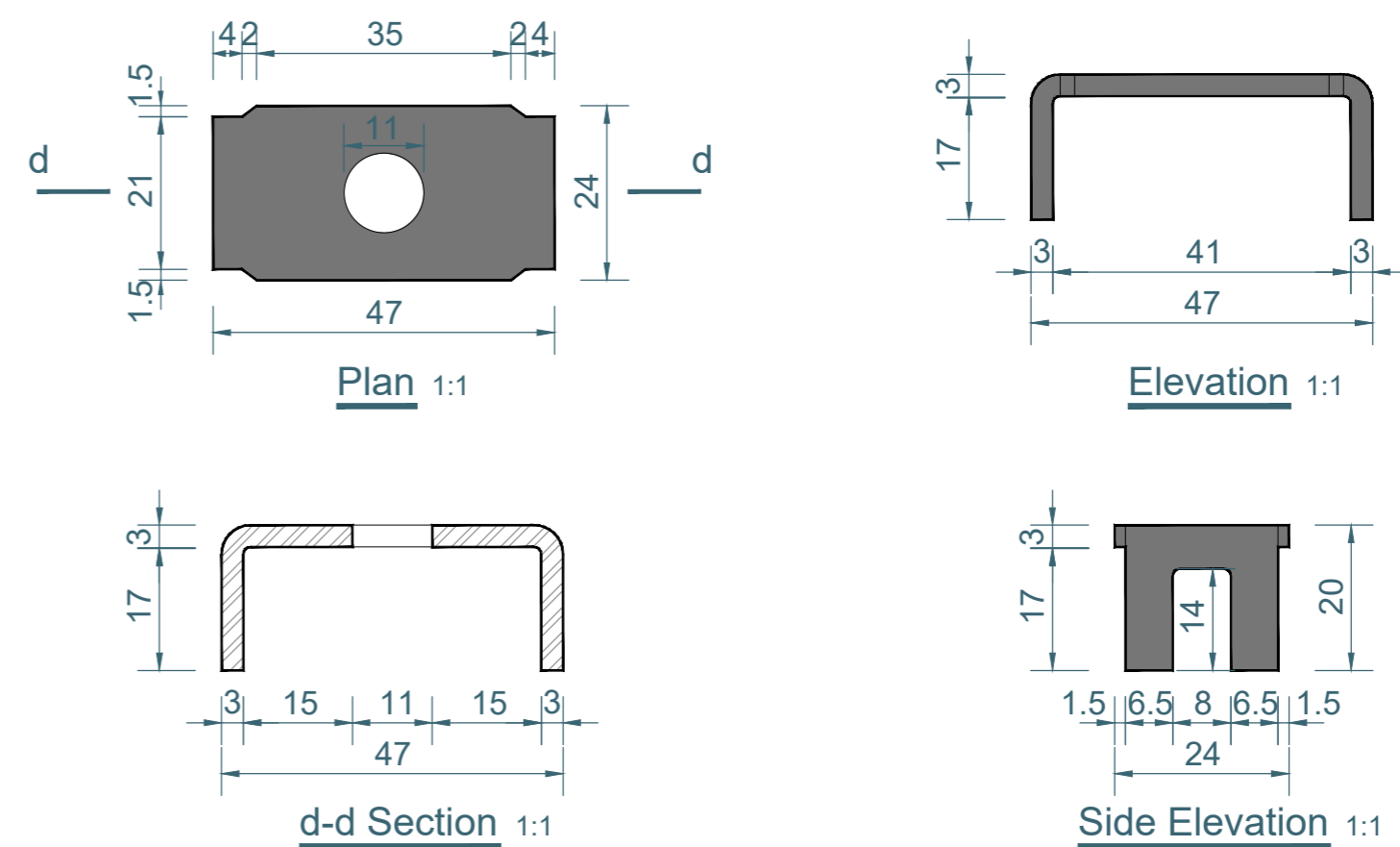
M8x40mm MESH SECURITY INSERT BOLT



SECURITY INSERT NUT



SECURITY KEY



UNIVERSAL FIXING CLIP

TITLE: TWIN MESH FITTINGS

AA Fencing UK Ltd. The Wireworks Evans  
Road, Speke Liverpool L24 9PB  
0151 363 1234 info@aa fencing.co.uk



SIZE:	RVE:	DRAWN:	DATE:	SCALE:	1:1
A2	1.0	W.CY	15/03/2025		
WEIGHT: POST 4.1kg			SHEET 3 OF 3		

NOTE: SHOULD ANY DISCREPANCIES BE FOUND WITH THIS DRAWING, PLEASE INFORM AA FENCING. COPYRIGHT OF THIS DRAWING IS OWNED BY AA FENCING UK LIMITED