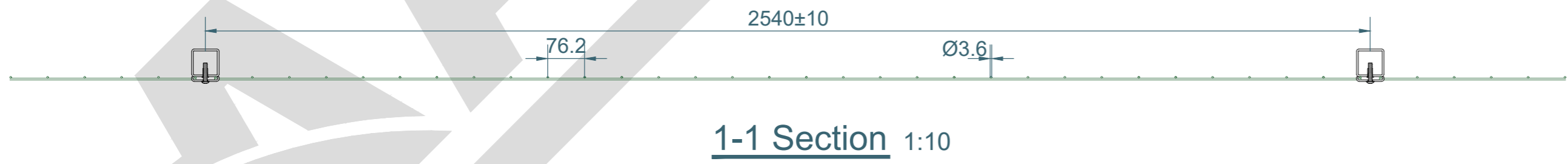
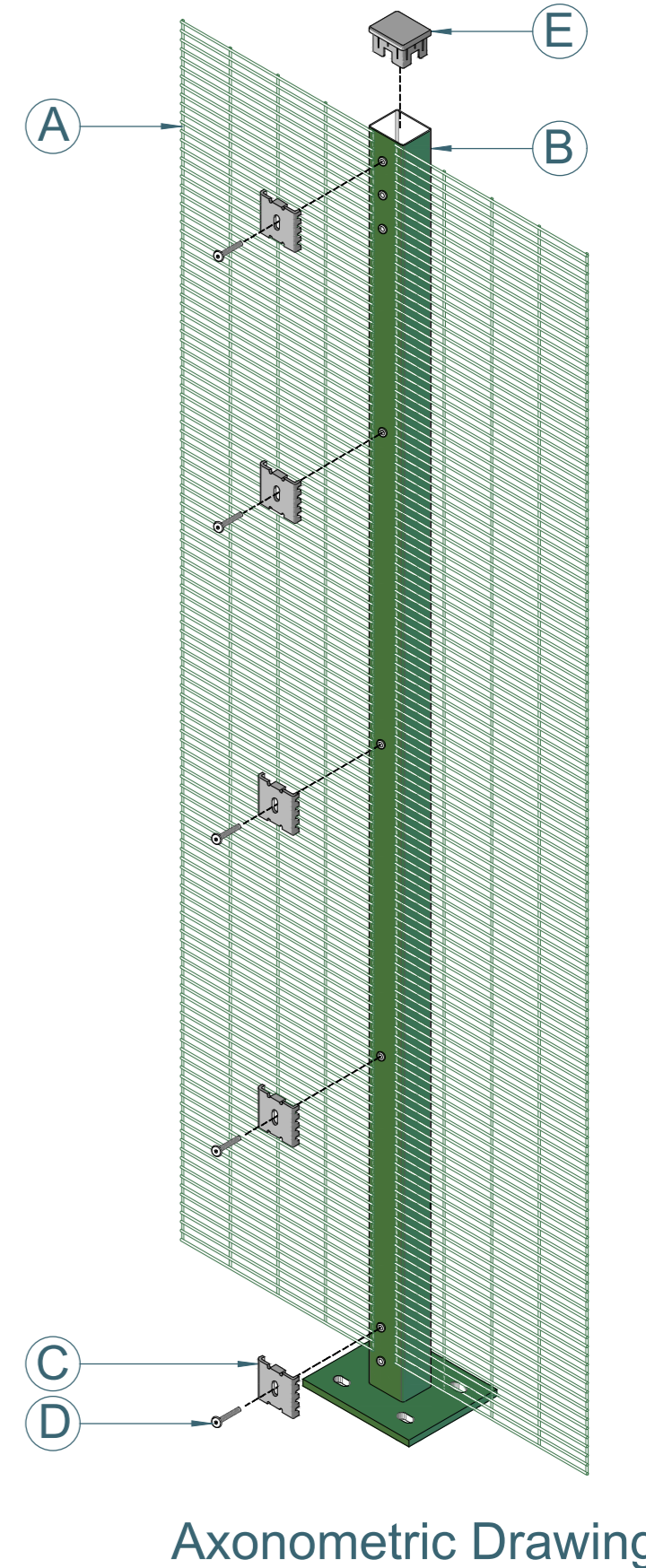
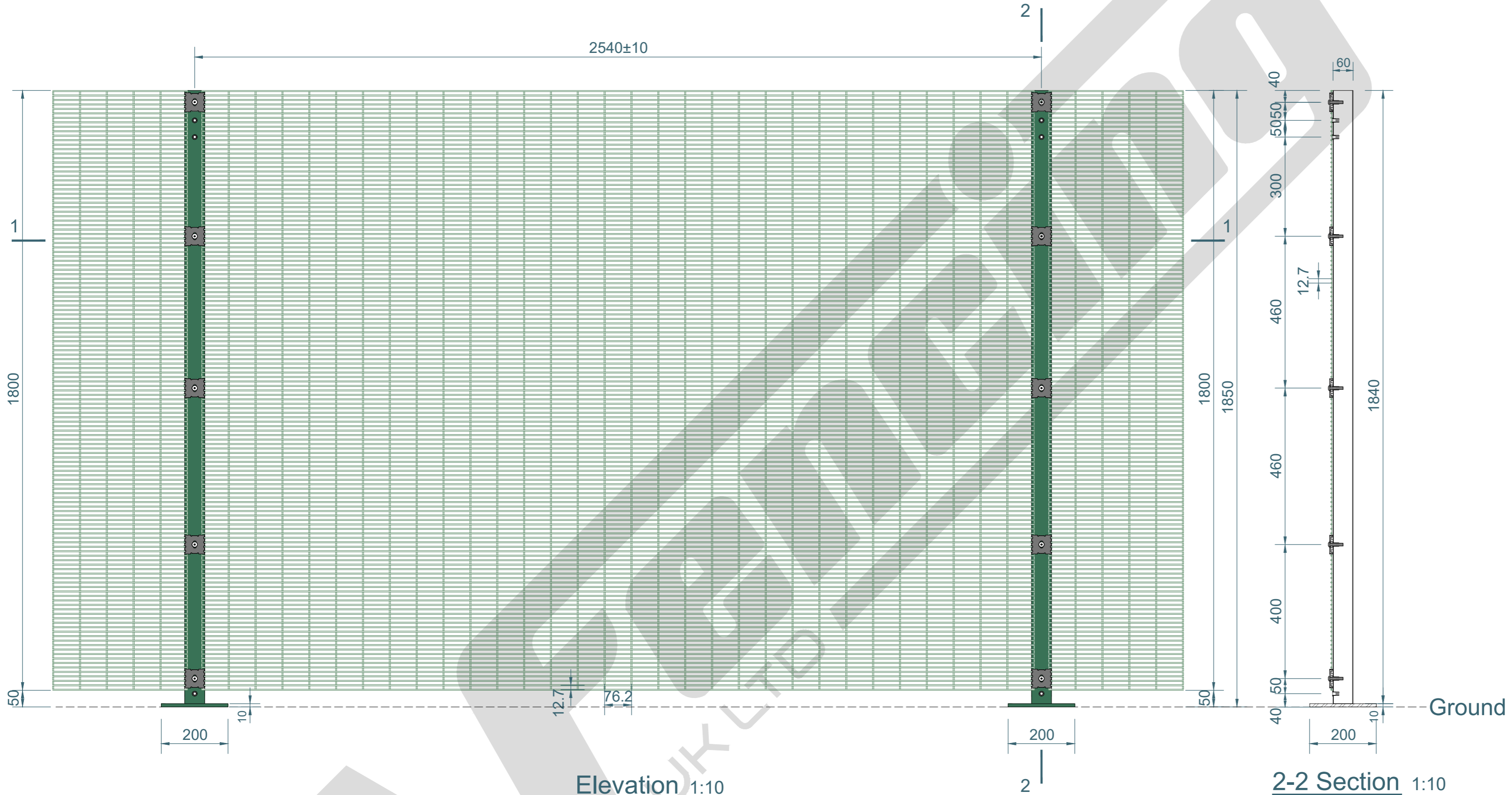


1.8m HIGH 358 FLAT BEAM PRISON MESH WITH 60x60mm BOLT DOWN BAY



ITEM	PARTS NAME	QUANTITY
A	MESH - 1.8m HIGH 358 FLAT BEAM PRISON MESH PANEL ONLY	1
B	POST – 1.85m HIGH 60x60mm BOLT DOWN POST ONLY	1
C	UNIVERSAL FIXING CLIP	5
D	M8x40mm MESH SECURITY INSERT BOLT	5
E	60x60mm BLACK CAP	1

TITLE: 1.8m HIGH 358 FLAT BEAM PRISON MESH WITH 60x60mm BOLT DOWN BAY

AA Fencing UK Ltd. The Wireworks Evans Road, Speke Liverpool L24 9PB
0151 363 1234 info@aafencing.co.uk

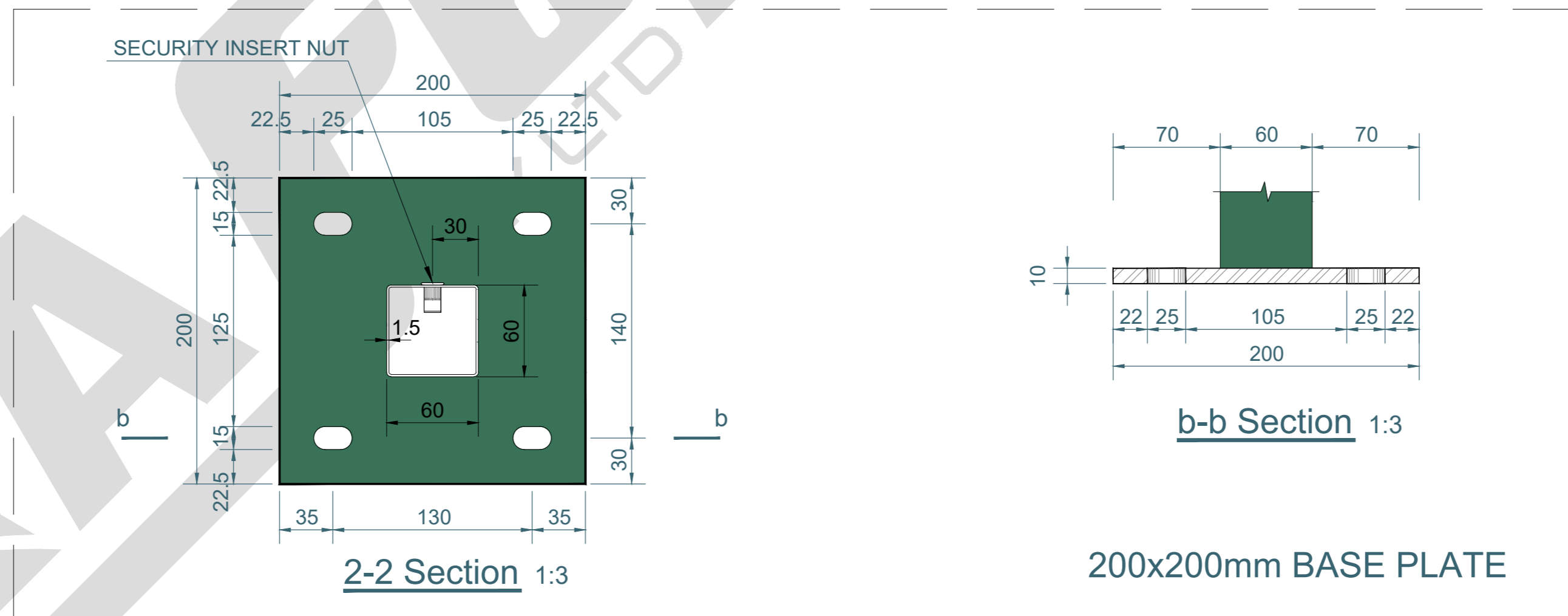
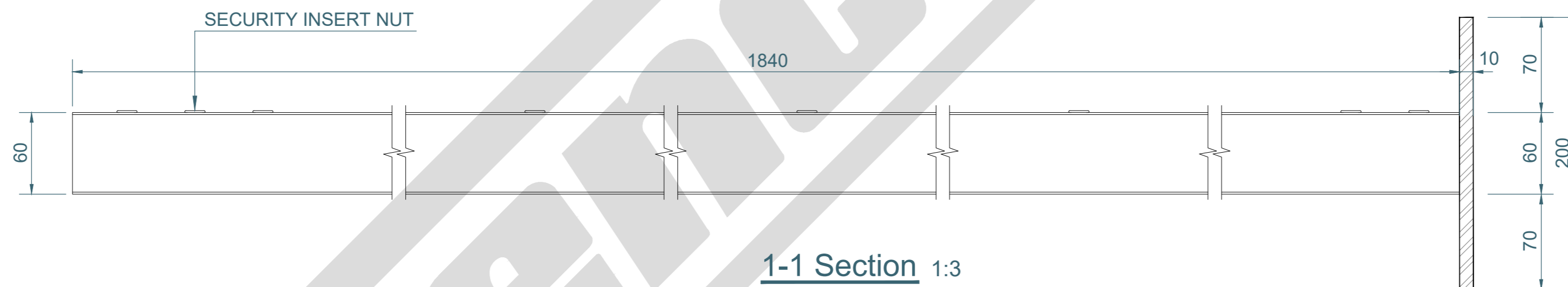
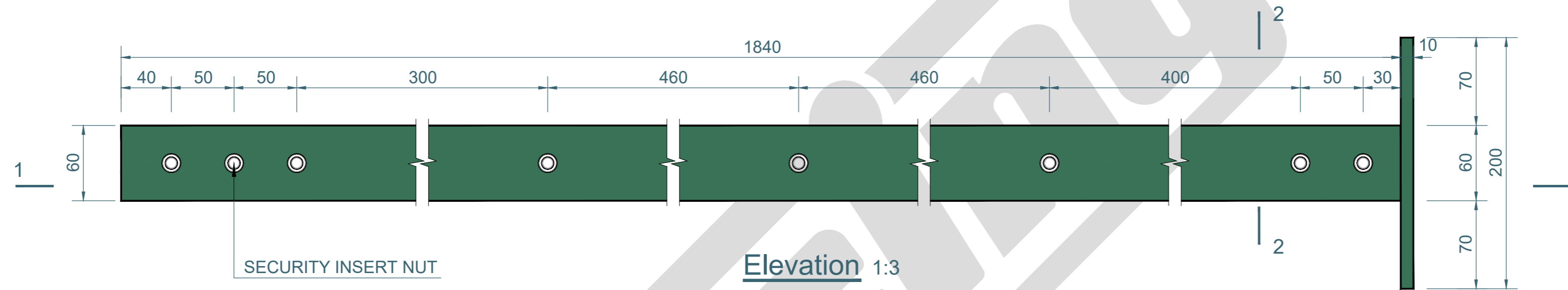
SIZE: A2 RVE: 1.0 DRAWN: W.CY DATE: 15/03/2025 SCALE: 1:10

WEIGHT: PANEL 31kg, POST 8.32kg SHEET 1 OF 3

NOTE: SHOULD ANY DISCREPANCIES BE FOUND WITH THIS DRAWING, PLEASE INFORM AA FENCING. COPYRIGHT OF THIS DRAWING IS OWNED BY AA FENCING UK LIMITED



1.8m HIGH 60x60mm INTERMEDIATE BOLT DOWN POST ONLY(AL1850mm)



TITLE: 1.8m HIGH 60x60mm INTERMEDIATE BOLT DOWN POST ONLY(AL1850mm)

AA Fencing UK Ltd. The Wireworks Evans
Road, Speke Liverpool L24 9PB
0151 363 1234 info@aafencing.co.uk

SIZE: A2 RVE: 1.0 DRAWN: W.CY DATE: 15/03/2025

WEIGHT: POST 8.32kg

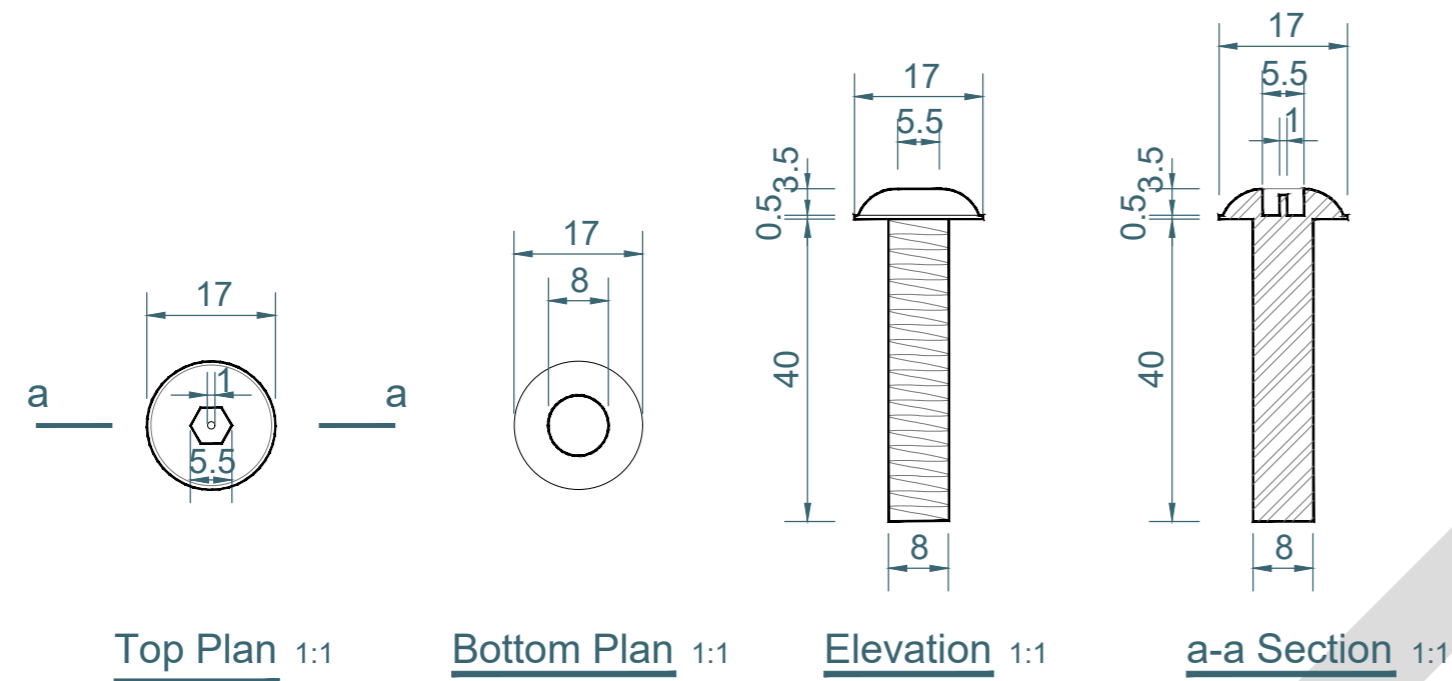
SCALE: 1:3

SHEET 2 OF 3

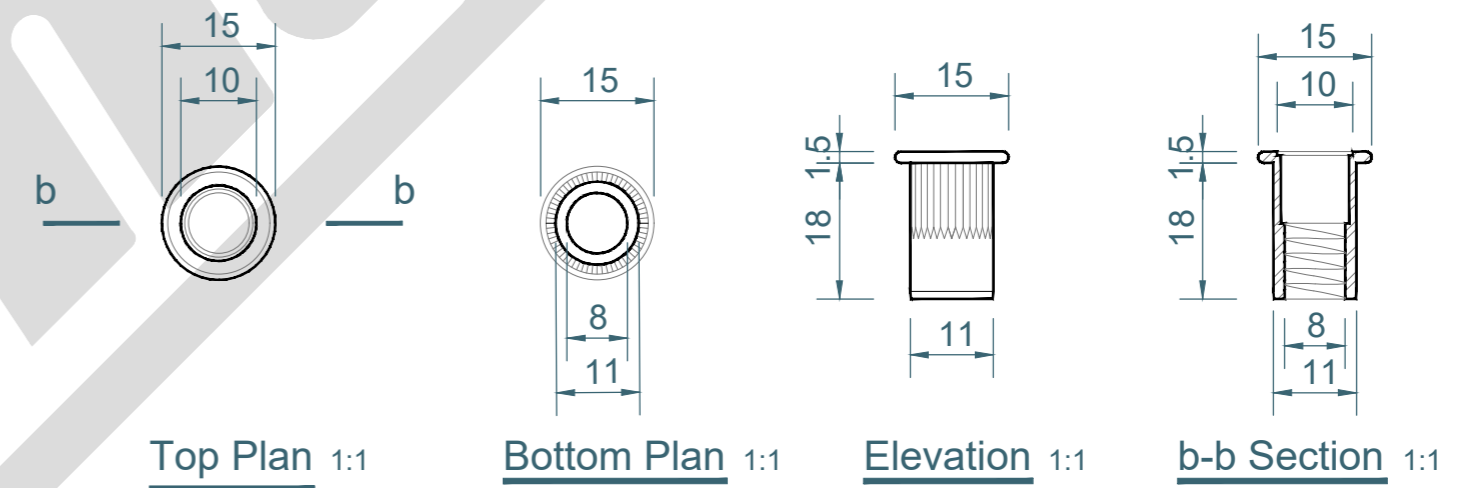
NOTE: SHOULD ANY DISCREPANCIES BE FOUND WITH THIS DRAWING, PLEASE INFORM AA FENCING. COPYRIGHT OF THIS DRAWING IS OWNED BY AA FENCING UK LIMITED



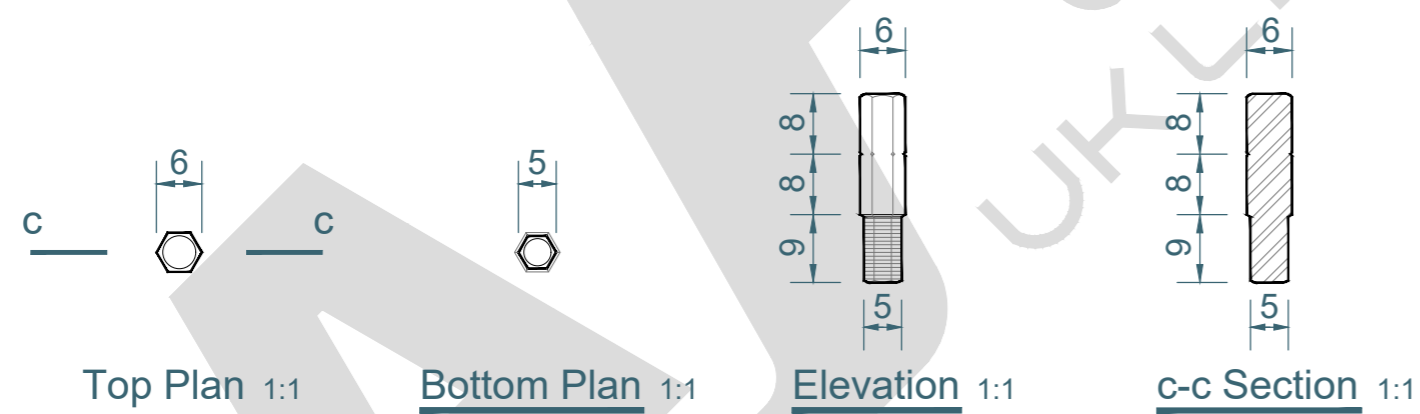
FLAT BEAM PRISON MESH FITTINGS



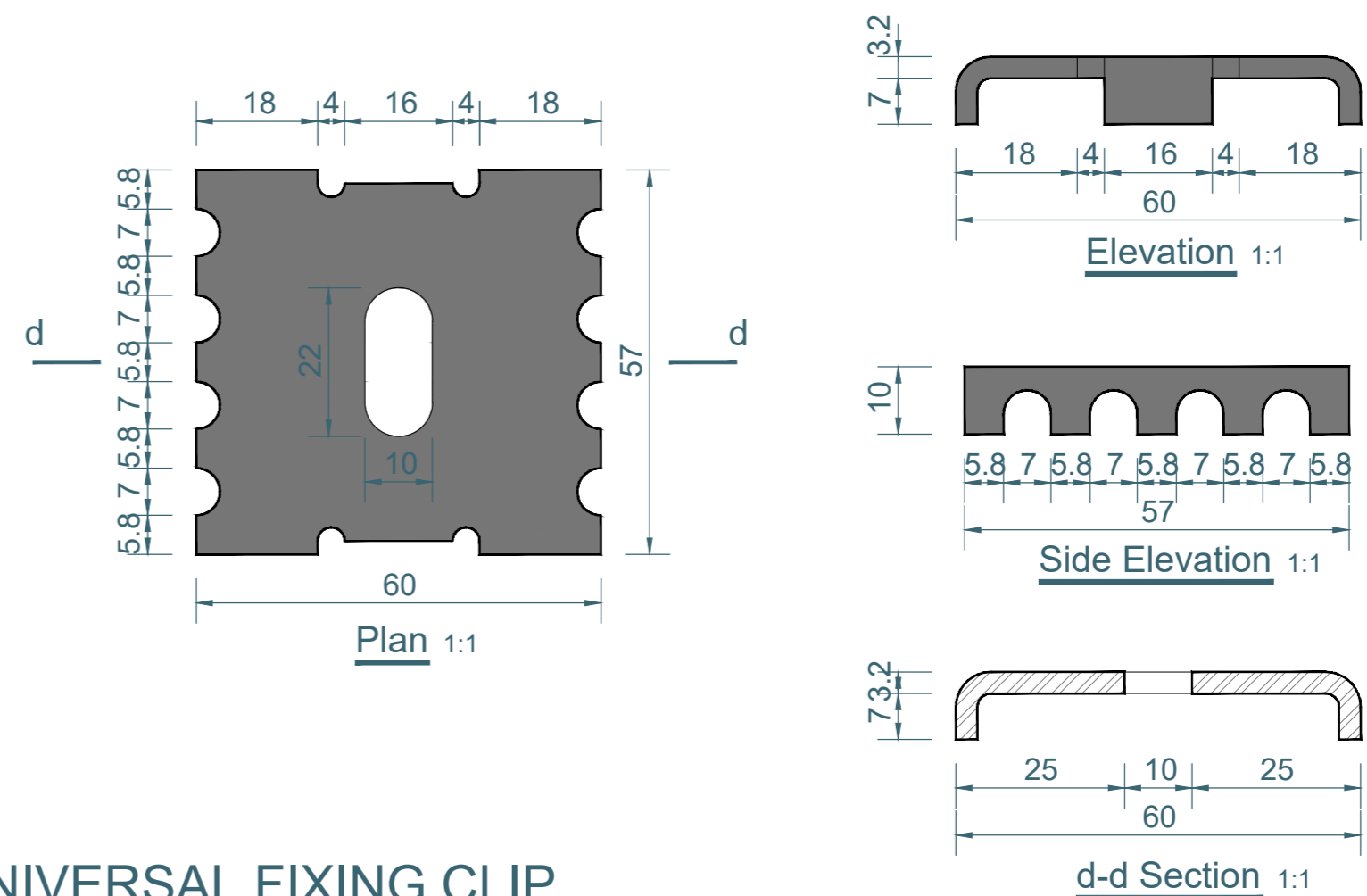
M8x40mm MESH SECURITY INSERT BOLT



SECURITY INSERT NUT



SECURITY KEY



UNIVERSAL FIXING CLIP

TITLE: FLAT BEAM PRISON MESH FITTINGS

AA Fencing UK Ltd. The Wireworks Evans
Road, Speke Liverpool L24 9PB
0151 363 1234 info@aafencing.co.uk

SIZE:

A2

RVE:

1.0

DRAWN:

W.CY

DATE:

15/03/2025

SCALE:

1:1

WEIGHT: POST 8.32kg

SHEET 3 OF 3

NOTE:

SHOULD ANY DISCREPANCIES BE FOUND WITH THIS DRAWING, PLEASE INFORM AA FENCING. COPYRIGHT OF THIS DRAWING IS OWNED BY AA FENCING UK LIMITED